



Product Data Sheet

Zone Sensors with Fan Switch

Trane™ offers a full line of wireless and wired temperature sensors. Wireless temperature sensors are an ideal and cost-effective alternative to wired sensors that provide easy and flexible installation. Conventional wired sensors are best suited where wireless sensors are not allowed or when a wired connection to a service tool is required.

Features, Benefits, and Part Numbers:

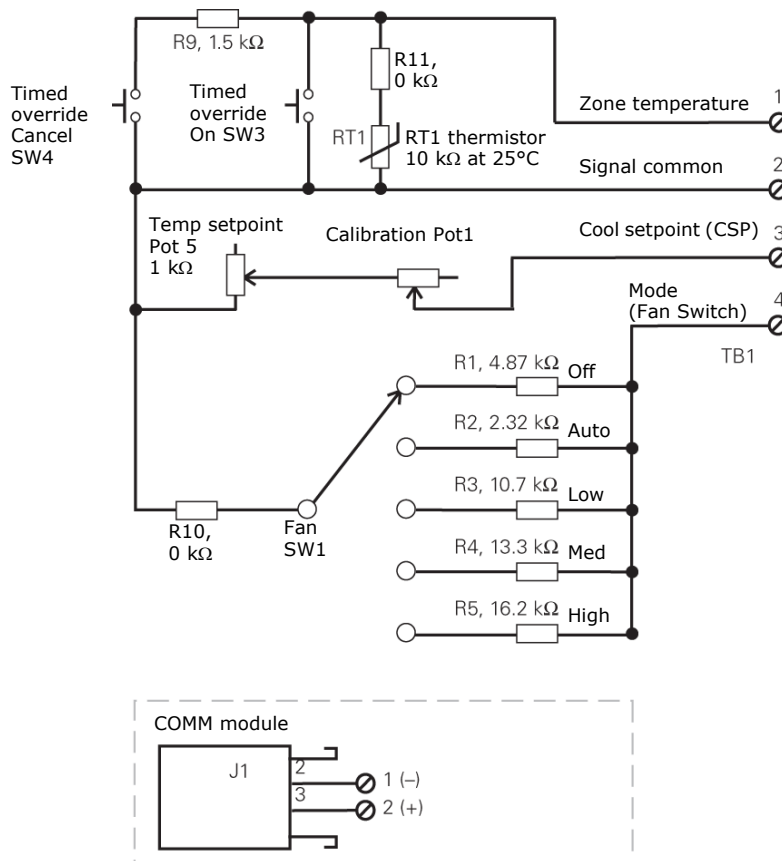
Features	Benefits
Temperature setpoint control	Allows the tenant to choose a temperature setpoint that satisfies their personal preference.
Fan switch	Allows the tenant to locally control the operating mode and fan speed to better satisfy their personal preferences.
Occupancy override	Allows the tenant to request temporary timed override system operation that permits the building conditions to remain in occupied comfort conditions.
COMM module (optional)	Compatible with all Trane-wired temperature sensors. This optional accessory provides local RJ22 connection to Trane service tools for easy, low cost maintenance.
Hot/cold thumbwheel (optional)	Allows the tenant to choose a temperature setpoint relative to their zone of comfort as opposed to exact numbers.

Part Numbers				
Description			Part Number	Global Parts
Setpoint	Fan Control	Occupancy		
Single	Off/Auto	Yes	X1379084501	SEN01521
Single	Off/Run	Yes	X1379085101	SEN01527
Single	Off/Auto/Low/High	Yes	X1379084801	SEN01524
Single	Off/Auto/Low/Med/High	—	X1379084101	SEN01517
Single	Off/Auto/Low/Med/High	Yes	X1379084201	SEN01518
COMM Module (Box of 12)			X1365146702	CON01313
Thumbwheel; Hot/Cold (Box of 12)			X1316105702	KNB00182

Specifications

Description	
Sensor operating temperature	From 32°F to 122°F (0°C to 50°C)
Storage temperature	From -40°F to 185°F (-40°C to 85°C)
Storage/operating humidity range	5% to 95% relative humidity (RH), noncondensing
Thermistor accuracy	0.2°C at 25°C, 1%
Setpoint functional range	45°F to 90°F (7.2°C to 32.2°C)
Setpoint thumbwheel markings	50°F to 85°F (n 5°F increments) with */** icons on thumbwheel 11°C to 29°C (in 3°C increments) with */** icons on thumbwheel
Housing material	Polycarbonate/ABS (suitable for plenum mounting), UV protection, UL 94: 5 VA flammability rating
Mounting	Fits a standard 2 in. by 4 in. junction box (vertical mount only). Mounting holes are spaced 3.2 in. (83 mm) apart on vertical center line. Includes mounting screws for junction box or wall anchors for sheet-rock walls. Overall dimensions: 2.9 in (74 mm) by 4.7 in. (119 mm)

Schematic (Typical)



Trane and the Trane logo are trademarks of Trane in the United States and other countries. All trademarks referenced in this document are the trademarks of their respective owners.



www.trane.com

For more information, contact your local Trane office or e-mail us at comfort@trane.com

Literature Order Number BAS-PRC029-EN

Date January 2008

Supersedes New

Trane has a policy of continuous product and product data improvement and reserves the right to change design and specifications without notice.