



# Product Catalog

## Performance Climate Changer™ Air Handler Model UCCA

Sizes 3 to 30 for Indoor and Outdoor Applications



April 2019

CLCH-PRC024H-EN

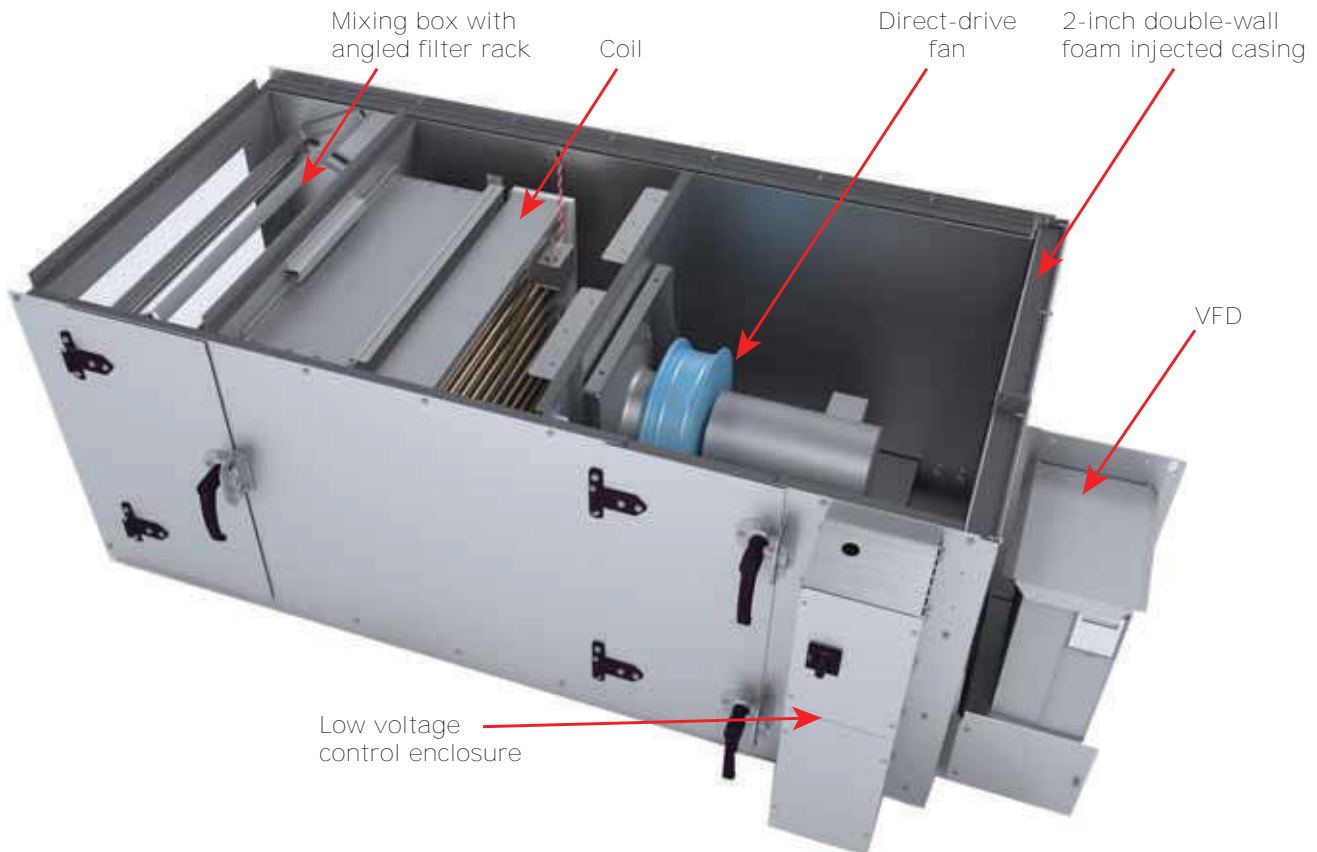




# Trane Performance Climate Changer™ Air Handlers

Trane has a Performance Climate Changer air handler adaptable to almost every environment. The Performance model UCCA is designed for budget-conscious applications, but does not sacrifice on construction, quality, or performance.

- 2-inch R13 foam insulated panels and doors
- Less than 0.005 inches at +/-6 inches w.g. panel and door deflection
- All airfoil bladed dampers meet ASHRAE 90.1 lowest specified leakage
- Quick-connect wiring minimizes installation costs and provides wiring integrity between sections
- Factory engineered and mounted control packages
- Hinged and handled access doors
- UL/CUL listed
- AHRI Standard 430-certified air-handling unit
- AHRI Standard 410-certified coils
- 2-inch/4-inch combination filter, or 2-inch/4-inch combination filter in a mixing box
- Supply fan options include forward curved (FC), direct-drive plenum (DDP) fans, and motorized impeller fans
- Electric heat including full modulating control
- Building Information Modeling (BIM) drawing to minimize jobsite ductwork, electrical, piping, and structural interference



## Copyright

This document and the information in it are the property of Trane, and may not be used or reproduced in whole or in part without written permission. Trane reserves the right to revise this publication at any time, and to make changes to its content without obligation to notify any person of such revision or change.

## Trademarks

All trademarks referenced in this document are the trademarks of their respective owners.

## Revision History

- Updated model number information to add new VFD settings /DDP fan speeds.
- Added supply fan motor amps for 3 HP 3600RPM size 3 motor.
- Added dimensional data for horizontal units (DDP w/o EH).



# Table of Contents

Model Number Descriptions .....	6
Features and Benefits .....	10
Construction and Integrity .....	10
Engineered for Good IAQ .....	10
Control Solutions .....	11
Proven Performance .....	12
Application Considerations .....	13
Standard AHU Arrangements .....	13
Operating Limitations .....	17
DX Cooling Units .....	17
Components and Options .....	18
Coils .....	18
Fans .....	19
Mixing Box/Filter Section .....	19
Economizer/Filter Section .....	19
Electric Heat .....	20
General Data .....	21
Unit Configurations and Components .....	21
Unit Data .....	24
Coil Data .....	28
Performance Data .....	29
Coil Data .....	29
Fan/Motor Data .....	30
Filter Pressure Drop .....	31
Controls .....	32
Factory-Mounted and Wired End Devices .....	33
Controller .....	37
Electrical Data .....	38
Useful formulas: .....	39
Fuse Sizes .....	39
Transformers .....	39
Motor Data .....	40
Equations .....	42

Dimensions and Weights .....	45
Service Clearances .....	45
Horizontal Units .....	47
Vertical FC Units .....	50
Vertical Motorized Impeller Units .....	53
Electric Heat .....	56
Control Box .....	57
VFD .....	59
Coils .....	60
Access Section with Optional Coil (Indoor Units) .....	74
Mixing Box/Filter Section .....	75
Economizer/Filter Section .....	80
Filter Placement .....	85
Fans, Motors, and VFDs .....	87
Mechanical Specifications .....	89
General .....	89
Unit Construction .....	89
Drain Pans .....	90
Access Doors .....	90
Fans .....	90
Fan Isolation .....	90
Fan Drives .....	91
Fan Motors .....	91
Coils .....	91
Electric Heat .....	92
Filters .....	92
Mixing Box .....	93
Economizer with Return Fan Section .....	93
Coil with Access .....	93
Control Interface .....	94



# Model Number Descriptions

## Digit 1, 2, 3, 4 – Unit Model

**UCCA** = Performance Climate Changer Air Handler

## Digit 5 – Configuration

**A** = Horizontal/front top with housed fan  
**B** = Horizontal/top front with housed fan  
**C** = Vertical/front top with housed fan  
**D** = Vertical/top front with housed fan  
**E** = Vertical/back top with housed fan  
**F** = Vertical/top back with housed fan  
**G** = Horizontal/front top with DDP fan  
**H** = Horizontal/top front with DDP fan  
**J** = Horizontal/bottom front with housed fan  
**K** = Horizontal/bottom front with DDP fan  
**L** = Vertical/front top with motorized impeller fan  
**M** = Vertical/top front with motorized impeller fan  
**N** = Vertical/back top with motorized impeller fan  
**P** = Vertical/front top with motorized impeller fan, hi stat  
**R** = Vertical/top front with motorized impeller fan, hi stat  
**T** = Vertical/back top with motorized impeller fan, hi stat  
**S** = Special

## Digit 6, 7 – Unit Size

**03** = Unit size 3  
**06** = Unit size 6  
**08** = Unit size 8  
**10** = Unit size 10  
**12** = Unit size 12  
**14** = Unit size 14  
**17** = Unit size 17  
**21** = Unit size 21  
**26** = Unit size 26  
**30** = Unit size 30

## Digit 8 – Unit Voltage

**0** = No motor, controls, or electric heat  
**A** = 208 volt/60 hertz/3 phase  
**B** = 230 volt/60 hertz/3 phase  
**C** = 460 volt/60 hertz/3 phase  
**D** = 575 volt/60 hertz/3 phase  
**S** = Special

## Digit 9 – Unit Type

**0** = Indoor unit  
**1** = Outdoor unit

## Digit 10, 11 – Design Sequence

**\*\*** = Factory assigned

## Digit 12 – Connections

**R** = Polymer drain pan, RH coil/RH motor  
**L** = Polymer drain pan, LH coil/LH motor  
**C** = Polymer drain pan, RH coil/LH motor  
**D** = Polymer drain pan, LH coil/RH motor  
**E** = Stainless steel drain pan, RH coil/RH motor  
**F** = Stainless steel drain pan, LH coil/LH motor  
**G** = Stainless steel drain pan, RH coil/LH motor  
**H** = Stainless steel drain pan, LH coil/RH motor  
**S** = Special

## Digit 13 – Coil #1 First in Airstream

**0** = No unit coil #1  
**A** = 1 row preheat hydronic/9 fins/in.  
**B** = 1 row preheat hydronic/12 fins/in.  
**C** = 1 row preheat hydronic/14 fins/in.  
**D** = 2 row preheat hydronic/9 fins/in.  
**E** = 2 row preheat hydronic/12 fins/in.  
**F** = 2 row preheat hydronic/14 fins/in.  
**G** = 1 row preheat steam/6 fins/in.  
**H** = 4 row hydronic/9 fins/in.  
**J** = 4 row hydronic/12 fins/in.  
**K** = 4 row hydronic/14 fins/in.  
**L** = 6 row hydronic/9 fins/in.  
**M** = 6 row hydronic/12 fins/in.  
**N** = 6 row hydronic/14 fins/in.  
**P** = 8 row hydronic/9 fins/in.  
**R** = 8 row hydronic/12 fins/in.  
**T** = 8 row hydronic/14 fins/in.  
**U** = 4 row DX/9 fins/in.  
**V** = 4 row DX/12 fins/in.  
**W** = 4 row DX/14 fins/in.  
**Y** = 6 row DX/9 fins/in.  
**Z** = 6 row DX/12 fins/in.  
**1** = 6 row DX/14 fins/in.  
**S** = Special

## Digit 14 – Coil #2 Second in Airstream

**0** = No unit coil #1  
**A** = 1 row preheat hydronic/9 fins/in.  
**B** = 1 row preheat hydronic/12 fins/in.  
**C** = 1 row preheat hydronic/14 fins/in.  
**D** = 2 row preheat hydronic/9 fins/in.  
**E** = 2 row preheat hydronic/12 fins/in.  
**F** = 2 row preheat hydronic/14 fins/in.  
**G** = 1 row preheat steam/6 fins/in.

## Digit 14 – Coil #2 Second in Airstream (continued)

**H** = 4 row hydronic/9 fins/in.  
**J** = 4 row hydronic/12 fins/in.  
**K** = 4 row hydronic/14 fins/in.  
**L** = 6 row hydronic/9 fins/in.  
**M** = 6 row hydronic/12 fins/in.  
**N** = 6 row hydronic/14 fins/in.  
**P** = 8 row hydronic/9 fins/in.  
**R** = 8 row hydronic/12 fins/in.  
**T** = 8 row hydronic/14 fins/in.  
**U** = 4 row DX/9 fins/in.  
**V** = 4 row DX/12 fins/in.  
**W** = 4 row DX/14 fins/in.  
**Y** = 6 row DX/9 fins/in.  
**Z** = 6 row DX/12 fins/in.  
**1** = 6 row DX/14 fins/in.  
**S** = Special

## Digit 15 – Coil Options

**0** = None  
**1** = Aluminum fin, galvanized coil casing, 1/2in coil  
**2** = Aluminum fin, stainless steel coil casing, 1/2in coil  
**3** = Aluminum fin, galvanized coil casing, 3/8in coil  
**4** = Aluminum fin, stainless steel coil casing, 3/8in coil  
**5** = Aluminum fin, galvanized coil casing, 1/2in coil, EDV  
**6** = Aluminum fin, stainless steel coil casing, 1/2in coil, EDV  
**7** = Aluminum fin, galvanized coil casing, 1/2in coil, Turb, no EDV  
**8** = Aluminum fin, stainless steel coil casing, 1/2in coil, Turb, no EDV  
**9** = Aluminum fin, galvanized coil casing, 3/8in coil, EDV  
**A** = Aluminum fin, stainless steel coil casing, 3/8in coil, EDV  
**S** = Special

## Digit 16 – Controls Options

**0** = No controller options  
**1** = Unwired end devices  
**2** = Control interface  
**3** = Tracer™ UC600 controller  
**S** = Special

## Digit 17 – Electric Heat (Factory Mounted)

**0** = No electric heat  
**1** = Electric heat with 1 stage  
**2** = Electric heat with 2 stages  
**3** = Electric heat with 4 stages  
**4** = Electric heat with SCR control  
**5** = Special

### Digit 18, 19, 20 — Electric Heater kW

**000** = No electric heat  
**006** = 6.0 kW  
**007** = 7.0 kW  
**008** = 8.0 kW  
**009** = 9.0 kW  
**010** = 10.0 kW  
**011** = 11.0 kW  
**012** = 12.0 kW  
**013** = 13.0 kW  
**014** = 14.0 kW  
**015** = 15.0 kW  
**016** = 16.0 kW  
**017** = 17.0 kW  
**018** = 18.0 kW  
**020** = 20.0 kW  
**022** = 22.0 kW  
**024** = 24.0 kW  
**026** = 26.0 kW  
**028** = 28.0 kW  
**030** = 30.0 kW  
**032** = 32.0 kW  
**034** = 34.0 kW  
**036** = 36.0 kW  
**038** = 38.0 kW  
**041** = 41.0 kW  
**044** = 44.0 kW  
**047** = 47.0 kW  
**050** = 50.0 kW  
**053** = 53.0 kW  
**056** = 56.0 kW  
**059** = 59.0 kW  
**063** = 63.0 kW  
**067** = 67.0 kW  
**071** = 71.0 kW  
**075** = 75.0 kW  
**079** = 79.0 kW  
**083** = 83.0 kW  
**087** = 87.0 kW  
**091** = 91.0 kW  
**095** = 95.0 kW  
**100** = 100 kW  
**105** = 105 kW  
**110** = 110 kW  
**115** = 115 kW  
**120** = 120 kW  
**SSS** = Special

### Digit 21 — Electric Heat Options

**0** = No electric heat  
**A** = Line fuse, door interlocking disconnect switch and airflow switch  
**B** = Line fuse and airflow switch  
**S** = Special

### Digit 22 — Refrigerant Circuit Options

**0** = No refrigerant options  
**1** = Single refrigerant circuit arr with 1 stage DX 1/4-inch distributor  
**2** = Face split refrigerant circuit arr with 2 stage DX 1/4-inch distributor  
**3** = Intertwined refrigerant circuit arr with 2 stage DX 1/4-inch distributor  
**4** = Single refrigerant circuit arr with 2 stage DX 1/4-inch distributor  
**5** = Face split refrigerant circuit arr with 4 stage DX 1/4-inch distributor  
**6** = Intertwined refrigerant circuit arr with 4 stage DX 1/4-inch distributor  
**A** = Single refrigerant circuit arr with 1 stage DX 3/16-inch distributor  
**B** = Face split refrigerant circuit arr with 2 stage DX 3/16-inch distributor  
**C** = Intertwined refrigerant circuit arr with 2 stage DX 3/16-inch distributor  
**D** = Single refrigerant circuit arr with 2 stage DX 3/16-inch distributor  
**E** = Face split refrigerant circuit arr with 4 stage DX 3/16-inch distributor  
**F** = Intertwined refrigerant circuit arr with 4 stage DX 3/16-inch distributor  
**S** = Special

### Digit 23 — Supply Motor Horsepower (per fan)

**0** = No motor  
**A** = 1 hp (0.746 kW)  
**B** = 1-1/2 hp (1.119 kW)  
**C** = 2 hp (1.492 kW)  
**D** = 3 hp (2.238 kW)  
**E** = 5 hp (3.730 kW) premium  
**F** = 7-1/2 hp (5.595 kW) premium  
**G** = 10 hp (7.460 kW)  
**H** = 15 hp (11.190 kW)  
**J** = Motorized impeller fan  
**S** = Special

### Digit 24 — Supply Fan Volume Control

**0** = No volume control  
**A** = FC fan constant volume with variable pitch sheaves  
**B** = FC fan constant volume with fixed pitch sheaves  
**C** = Variable frequency drive with fixed pitch sheaves or DDP fan  
**D** = FC fan with fixed pitch sheaves or DDP fan and variable frequency drive and shaft grounding  
**E** = FC fan constant volume with fixed pitch sheaves or DDP fan and shaft grounding  
**F** = ECM motor  
**S** = Special

### Digit 25 — Supply Fan Drives

**0** = No drive  
**A** = 650 rpm fixed/600–700 rpm variable  
**B** = 700 rpm fixed/650–760 rpm variable  
**C** = 750 rpm fixed/700–800 rpm variable  
**D** = 800 rpm fixed/750–850 rpm variable  
**E** = 850 rpm fixed/800–900 rpm variable  
**F** = 900 rpm fixed/850–950 rpm variable  
**G** = 950 rpm fixed/900–1000 rpm variable  
**H** = 1000 rpm fixed/950–1050 rpm variable  
**J** = 1050 rpm fixed/1000–1100 rpm variable  
**K** = 1100 rpm fixed/1050–1150 rpm variable  
**L** = 1150 rpm fixed/1000–1100 rpm variable  
**M** = 1200 rpm fixed/1150–1250 rpm variable  
**N** = 1250 rpm fixed/1200–1300 rpm variable  
**P** = 1300 rpm fixed/1250–1350 rpm variable  
**R** = 1350 rpm fixed/1300–1400 rpm variable  
**T** = 1400 rpm fixed/1350–1450 rpm variable  
**U** = 1450 rpm fixed/1400–1500 rpm variable  
**V** = 1500 rpm fixed/1450–1500 rpm variable  
**W** = 1550 rpm fixed/1500–1600 rpm variable  
**Y** = 1600 rpm fixed/1550–1650 rpm variable  
**Z** = 1650 rpm fixed/1600–1700 rpm variable  
**1** = 1700 rpm fixed/1650–1750 rpm variable  
**2** = 1750 rpm fixed/1700–1800 rpm variable  
**3** = 1800 rpm fixed/1750–1850 rpm variable  
**4** = 1850 rpm fixed/1800–1900 rpm variable  
**5** = 1900 rpm fixed/1850–1950 rpm variable  
**6** = 1950 rpm fixed/1900–2000 rpm variable  
**7** = 2000 rpm fixed/1950–2050 rpm variable  
**8** = Direct-drive plenum/motorized impeller fans  
**S** = Special



## Model Number Descriptions

### Digit 26, 27 – VFD Setting/DDP Fan Speed

**00** = Housed fan  
**54** = 54 hertz/1604 rpm  
**55** = 55 hertz/1634 rpm  
**56** = 56 hertz/1663 rpm  
**57** = 57 hertz/1693 rpm  
**58** = 58 hertz/1723 rpm  
**59** = 59 hertz/1752 rpm  
**60** = 60 hertz/1782 rpm  
**61** = 61 hertz/1872 rpm  
**62** = 62 hertz/1841 rpm  
**63** = 63 hertz/1871 rpm  
**64** = 64 hertz/1901 rpm  
**65** = 65 hertz/1931 rpm  
**66** = 66 hertz/1960 rpm  
**67** = 67 hertz/1990 rpm  
**68** = 68 hertz/2020 rpm  
**69** = 69 hertz/2049 rpm  
**70** = 70 hertz/2079 rpm  
**71** = 71 hertz/2109 rpm  
**72** = 72 hertz/2138 rpm  
**73** = 73 hertz/2168 rpm  
**74** = 74 hertz/2198 rpm  
**75** = 75 hertz/2228 rpm  
**76** = 76 hertz/2257 rpm  
**77** = 77 hertz/2287 rpm  
**78** = 78 hertz/2317 rpm  
**79** = 79 hertz/2346 rpm  
**80** = 80 hertz/2376 rpm  
**81** = 81 hertz/2406 rpm  
**82** = 82 hertz/2435 rpm  
**83** = 83 hertz/2465 rpm  
**84** = 84 hertz/2495 rpm  
**85** = 85 hertz/2525 rpm  
**86** = 86 hertz/2554 rpm  
**87** = 87 hertz/2584 rpm  
**88** = 88 hertz/2614 rpm  
**89** = 89 hertz/2643 rpm  
**90** = 90 hertz/2673 rpm  
**91** = 91 hertz/2703 rpm  
**92** = 92 hertz/2732 rpm  
**93** = 93 hertz/2762 rpm  
**94** = 94 hertz/2792 rpm  
**95** = 95 hertz/2822 rpm  
**96** = 96 hertz/2851 rpm  
**97** = 97 hertz/2881 rpm  
**98** = 98 hertz/2911 rpm  
**99** = 99 hertz/2941 rpm  
**A0** = 100 hertz/2970 rpm  
**A1** = 101 hertz/3000 rpm  
**A2** = 102 hertz/3030 rpm  
**A3** = 103 hertz/3060 rpm  
**A4** = 104 hertz/3089 rpm  
**A5** = 105 hertz/3119 rpm  
**A6** = 106 hertz/3149 rpm  
**A7** = 107 hertz/3178 rpm  
**A8** = 108 hertz/3208 rpm  
**A9** = 109 hertz/3238 rpm  
**B0** = 110 hertz/3267 rpm  
**B1** = 111 hertz/3297 rpm

### Digit 26, 27 – VFD Setting/DDP Fan Speed(continued)

**B2** = 112 hertz/3327 rpm  
**B3** = 113 hertz/3357 rpm  
**B4** = 114 hertz/3366 rpm  
**B5** = 115 hertz/3416 rpm  
**B6** = 116 hertz/3446 rpm  
**B7** = 117 hertz/3475 rpm  
**B8** = 118 hertz/3505 rpm  
**B9** = 119 hertz/3535 rpm  
**C0** = 120 hertz/3564 rpm  
**C1** = 60 hertz/3450 rpm  
**C2** = 61 hertz/3508 rpm  
**C3** = 62 hertz/3565 rpm  
**C4** = 63 hertz/3623 rpm  
**C5** = 64 hertz/3680 rpm  
**C6** = 65 hertz/3738 rpm  
**C7** = 66 hertz/3795 rpm  
**C8** = 67 hertz/3853 rpm  
**C9** = 68 hertz/3910 rpm  
**D0** = 69 hertz/3968 rpm  
**D1** = 70 hertz/4025 rpm  
**D2** = 71 hertz/4083 rpm  
**D3** = 72 hertz/4140 rpm  
**D4** = 73 hertz/4198 rpm  
**D5** = 74 hertz/4255 rpm  
**D6** = 75 hertz/4313 rpm  
**D7** = 76 hertz/4370 rpm  
**D8** = 77 hertz/4428 rpm  
**D9** = 78 hertz/4485 rpm  
**E0** = 79 hertz/4543 rpm  
**E1** = 80 hertz/4600 rpm  
**SS** = Special

### Digit 28 – Filter/Mixing Box, Economizer Section

**0** = None  
**A** = 2-inch flat filter rack  
**B** = 2-inch flat filter, mixing box  
**C** = 2-inch angle filter  
**D** = 2-inch angle filter, mixing box  
**E** = 2-inch/4-inch combination filter rack  
**F** = 2-inch/4-inch combination filter, mixing box  
**G** = Mixing box only  
**H** = 2-inch flat filter, bottom return, economizer  
**J** = 2-inch angle filter, bottom return, economizer  
**K** = 2-inch/4-inch combination filter, bottom return, economizer  
**L** = 2-inch flat filter bottom return economizer, SPP  
**M** = 2-inch angle filter bottom return economizer, SPP  
**N** = 2-inch/4-inch combination filter, bottom return, economizer, SPP  
**P** = 2-inch flat filter, back return, economizer  
**R** = 2-inch angle filter, back return, economizer

### Digit 28 – Filter/Mixing Box, Economizer Section(continued)

**T** = 2-inch/4-inch combination filter, back return, economizer  
**U** = 2-inch flat filter, back return, economizer, SPP  
**V** = 2-inch angle filter, back return, economizer, SPP  
**W** = 2-inch/4-inch combination filter, back return, economizer, SPP  
**X** = 2-inch flat filter, top return  
**Y** = 2-inch angle filter, top return  
**Z** = 2-inch/4-inch combination filter, top return  
**1** = 2-inch flat filter, top return, SPP  
**2** = 2-inch angle filter, top return, SPP  
**3** = 2-inch/4-inch combination filter, top return, SPP  
**4** = 2-inch flat filter, back return  
**5** = 2-inch angle filter, back return  
**6** = 2-inch/4-inch combination filter, back return  
**7** = 2-inch flat filter, back return, SPP  
**8** = 2-inch angle filter, back return, SPP  
**9** = 2-inch/4-inch combination filter, back return, SPP  
**S** = Special

### Digit 29 – Filter Type

**0** = Customer supplied/no filters  
**A** = 2-inch MERV 8  
**B** = 2-inch MERV 13  
**C** = 2-inch MERV 8/4-inch MERV 11  
**D** = 2-inch MERV 8/4-inch MERV 13  
**E** = 2-inch MERV 13/4-inch MERV 13  
**S** = Special

### Digit 30 – Controls Options 1

**0** = No controls 1 options  
**1** = Low limit switch, condensate overflow switch, dirty filter switch and fan status switch

### Digit 31 – Controls Options 2

**0** = No controls 2 options  
**A** = Discharge air sensor (DAS)  
**B** = Discharge air sensor and mixed air sensor (MAS)  
**C** = Discharge air sensor, mixed air sensor, factory-mounted mixing box actuator with back damper n.o.  
**D** = Discharge air sensor, mixed air sensor, factory-mounted mixing box actuator with back damper n.c.  
**S** = Special



**Digit 32 — Controls Options 3**

**0** = No controls 3options  
**A** = Outdoor air temperature sensor, factory-provided, ships loose for field installation and wiring  
**B** = Duct static pressure sensor, factory-provided, ships loose for field installation and wiring  
**C** = Outdoor air temperature sensor and duct status pressure sensor, factory-provided, ships loose for field installation and wiring  
**S** = Special

**Digit 33 — Special**

**0** = Standard order  
**S** = Special order

**Digit 34 — Curb/Pipe/Cabinet/Paint**

**0** = Indoor unit  
**A** = Factory-provided curb, pipe cabinet, standard paint  
**B** = Field-provided curb, pipe cabinet, standard paint  
**C** = Pier-mounted unit, pipe cabinet, standard paint  
**D** = Factory-provided curb, no pipe cabinet, standard paint  
**E** = Field-provided curb, no pipe cabinet, standard paint  
**F** = Pier-mounted unit, no pipe cabinet, standard paint  
**S** = Special order

**Digit 35 — Access Section with Optional Coil**

**0** = No access section  
**1** = Access section without coil  
**2** = Access section with coil (first coil in the airstream)  
**S** = Special

**Digit 36 — Door Section**

**0** = Standard — door(s) on motor side  
**1** = Doors on both sides  
**S** = Special

**Digit 37 — Mixing Box Return (Top)**

**0** = None  
**A** = Opening only  
**B** = Damper  
**S** = Special

**Digit 38 — Mixing Box Return (Bottom)**

**0** = None  
**A** = Opening only  
**B** = Damper  
**S** = Special

**Digit 39 — Mixing Box Return (Back)**

**0** = None  
**A** = Opening only  
**B** = Damper  
**C** = Opening with hood  
**D** = Damper with hood  
**S** = Special

**Digit 40 — Indoor Baserail (optional)**

**0** = None  
**1** = 6-inch baserail  
**S** = Special



## Features and Benefits

The Performance Climate Changer UCCA air handler provides a cost-effective solution to meet cataloged air handling needs. As a customizable, cataloged air handler, components are available to meet a wide range of commercial and institutional applications for the HVAC market. Pre-engineered options expand that flexibility while ensuring proven, tested performance and dependability. These features add flexibility and are engineered to provide good indoor air quality, including:

- Single point power
- Factory mounted, wired and tested controls
- Two-inch double-wall injected foam casing
- Direct-drive plenum fans
- Economizer offering incorporating vertical direct-drive plenum fans with EC motors
- Filter options including MERV 11 and MERV 13 filters, which help achieve points toward LEED certification
- Variety of coil options that include hydronic, DX, steam, and electric heat
- Weatherization features for outdoor applications

## Construction and Integrity

Panels and doors are designed to provide extraordinary insulating capabilities for efficient and cost-effective performance. Standard double-wall panels and doors include two-inch closed cell foam insulation providing a minimum R-value of 13, in addition to premium panel strength and 0.005 inch deflection at +/- 6 inches w.g.

Heavy-duty door handles and hinges are surface-mounted and a removable hinge pin allows for easy door removal.

## Engineered for Good IAQ

The building industry is continuously evolving and the rate of change is accelerating. The Performance air handler is engineered to address today's multifaceted design issues required to provide good indoor air quality (IAQ). Building owners must give particular attention to maintaining and documenting IAQ to ensure occupant comfort and to meet industry and government regulatory standards.

ASHRAE Standard 62.1 provides guidance regarding suitable outside air volume to be brought into the building, recommended air filtration, and design recommendations and procedures to control microbial growth. Performance air handlers enable you to configure an IAQ-ready air-handling system that addresses these concerns.

## Sloped Drain Pan

The drain pan is positively sloped in every plane to assure proper drainage and help maximize protection from microbial growth.

Drain pans are made from a noncorrosive polymer material, double-wall construction, and foamed in place to help eliminate condensation beneath the drain pan. An optional stainless steel drain pan is also available.

## Serviceability/Cleanability

- Full-size access doors are provided for easy cleaning of internal components
- Removable coil panels
- Smooth, cleanable interior double-wall surfaces help improve indoor air quality.
- Coils are raised up out of the drain pan to make all coils removable from the side and provide easier access to the drain pan for cleaning.

## Filtration

Performance air handlers are available with a wide variety of filtration options, including:

- Two-inch MERV 8 or MERV 13 flat or angled filters
- Combination filter racks including two-inch MERV 8 or MERV 13 and four-inch MERV 11 or MERV 13

A factory-mounted dirty filter switch can be used to indicate when the filter needs replacement.

## Ventilation

A mixing box or economizer with ultra low-leak dampers is available for delivering ventilation air directly to the unit. The economizer section will function as a zero-to-100 percent economizer to improve energy efficiency.

## Dehumidification

The Performance UCCA air handler can be configured for either a constant-volume or VAV application. VAV systems generally provide effective, coincidental dehumidification over a wide range of indoor load conditions. As long as any space needs cooling, the VAV air handler supplies dry (low dew point) air to all of the VAV terminal units.

For direct control of space humidity in a constant-volume application, the Performance air handler can be configured with a hydronic or steam heating coil in the reheat position. This would allow the cooling and heating coils to modulate independently to directly control both temperature and humidity in the space. A unit-mounted electric heater, with a single-point connection, is also available in the reheat position.

## Control Solutions

Performance air handlers are available with an optional control interface. This package can be used as part of a stand-alone operation, or it can be fully integrated into a comprehensive control system. The Trane EarthWise™ system incorporates the benefits of factory-installed controls and links the air handler to the Tracer™ SC system controls building management system. This option is designed to lower installation costs and risk while dramatically improving the quality of the application and the performance of the air handler. The entire air handler control system is engineered, mounted, wired, and tested before leaving the factory. As a result of strict quality manufacturing methods, these control options bring consistency and reliability to the control-system package and provide single-source responsibility.

The following control devices are available as standard:

- Trane UC600 controller
- Variable-frequency drives (VFDs)
- Controls interface package
  - Fan motor disconnect switch (indoor units only)
  - Fused transformer(s)
  - Fan contactor
  - Customer terminal strip for field-provided controls
- Various end device options, including:
  - Low limit protection
  - Condensate overflow switch
  - Fan status switch
  - Filter status switch
  - Discharge air sensor
  - Mixed air sensor
  - Return air sensor
  - Damper actuator



## Features and Benefits

---

### Single Source Responsibility

Equipment and interoperable controls, engineered and provided by a single manufacturer, provide faster construction cycles and simplify job-site coordination efforts. This simplification reduces installation time, expense, and risk. Trane equipment and controls package provides the optimal performance when integrated in a Trane Earthwise™ system. This is a powerful system architecture that unifies Trane HVAC equipment, direct digital control, and building management into a cohesive whole with an assured source of support. This system is managed with the Tracer™ building management system.

### Proven Performance

#### AHRI Standards

Trane combines comprehensive performance certification by AHRI with thorough laboratory testing and advanced manufacturing methods. Together, these elements help assure that each Trane air handler operates predictably and reliably throughout the life of the unit.

Unlike other rating methods that check fan performance alone, Trane units are performance-tested in accordance with AHRI Standard 430. This certification process evaluates the air handler on the basis of airflow, static pressure, fan speed, and brake horsepower.

Heating and cooling coils are rigorously tested and certified with AHRI Standard 410 to assure that they, too, deliver published performance.

AHRI Standard 260 is the first ducted-air-handler sound rating procedure. It is intended to provide engineers with better, more accurate, ducted sound power levels so that they can design quieter and more cost-effective comfort systems. Sound ratings for Trane air handlers have been developed from extensive AHRI Standard 260 testing and laboratory data.

#### UL Listing

Trane air handlers are UL-listed to U.S. and Canadian safety standards.

#### Canadian Registration Number (CRN)

The Canadian Registration Number (CRN) is given to companies that comply with Canada's Technical Safety Standards Act concerning pressure vessel safety. In Trane air-handling systems, the CRN applies to coils classified as Category H fittings. Most government and industrial customers require the HVAC supplier to have a CRN. Trane has earned a CRN for all steam and water coils used in Performance Climate Changer air handlers.

#### ISO Certification

Certification by the International Standardization Organization (ISO) ensures that an organization can consistently deliver a product or service that meets the customer's contractual requirements by following documented processes. The ISO 9001 quality assurance model establishes the requirements for an organization whose business processes range from design and development to production. Having the quality management system of our manufacturing plants ISO 9001-certified directly benefits Trane customers because our continuous process improvements can reduce business costs, improve product quality, and enable faster ship cycles

# Application Considerations

The Performance Climate Changer UCCA air handler offers a wide range of application flexibility while maintaining a simple, easy to install unit design. These units are a great choice when a compact, reliable air handler is needed when budget is a critical factor.

Typical applications include many different types of buildings such as: schools, office buildings, hospitals and retail. Applications can be either constant volume or variable-air-volume. Some applications include:

- Two-pipe hydronic system for cooling and/or heating
- Two-pipe hydronic cooling system with electric heat
- Four-pipe system with dedicated heating and cooling coils
- Direct expansion (DX) split systems with hydronic heat

## Standard AHU Arrangements

To complete the air-handling system, the sections must be physically arranged in a way that fits the available space. Conventional descriptions of air handler arrangements, *draw-thru* and *blow-thru*, reflect the means of establishing airflow through the coil based on the position of the coil relative to the fan: the fan either draws air through a coil located upstream or blows air through a downstream coil.

### Horizontal Draw-Thru

Trane air handlers in a horizontal draw-thru arrangement provide the system components that are required in a single-level unit. An optional blow-thru electric heater is also available. Accepted system design practices are generally the only restrictions in a horizontal draw-thru application.

Figure 1. DPP fan with front discharge — horz draw-thru

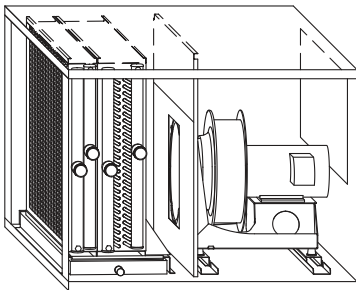


Figure 2. Direct-drive fan/mixing box with bottom discharge — horz draw-thru

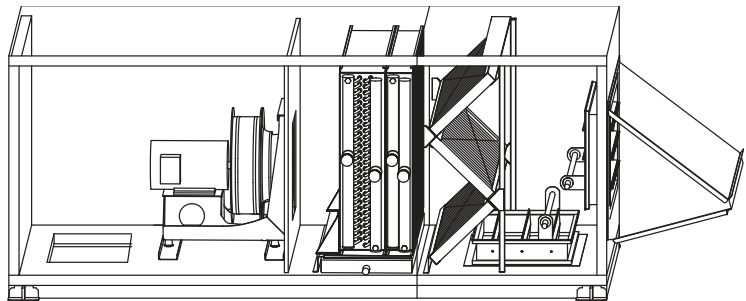


Figure 3. FC fan with front top discharge — horz draw-thru

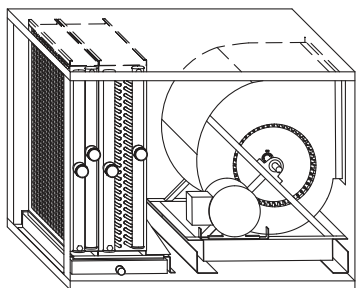
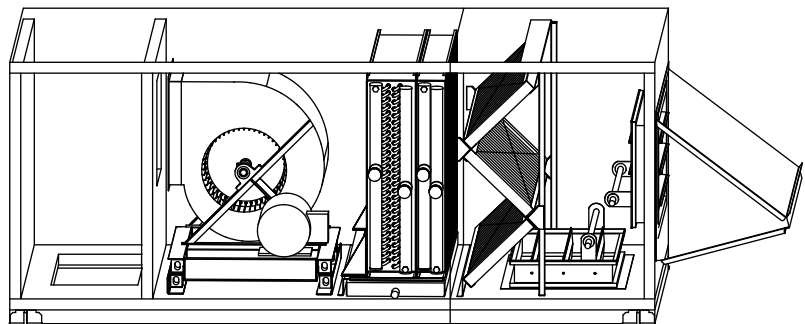
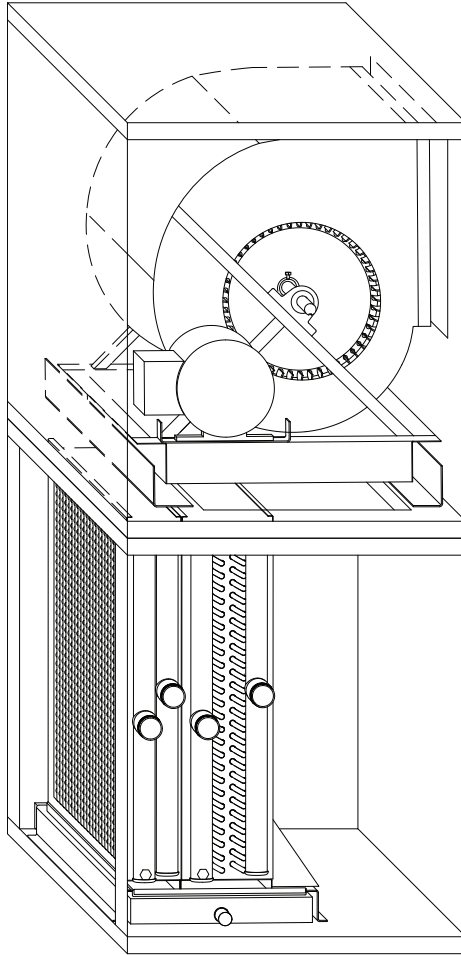
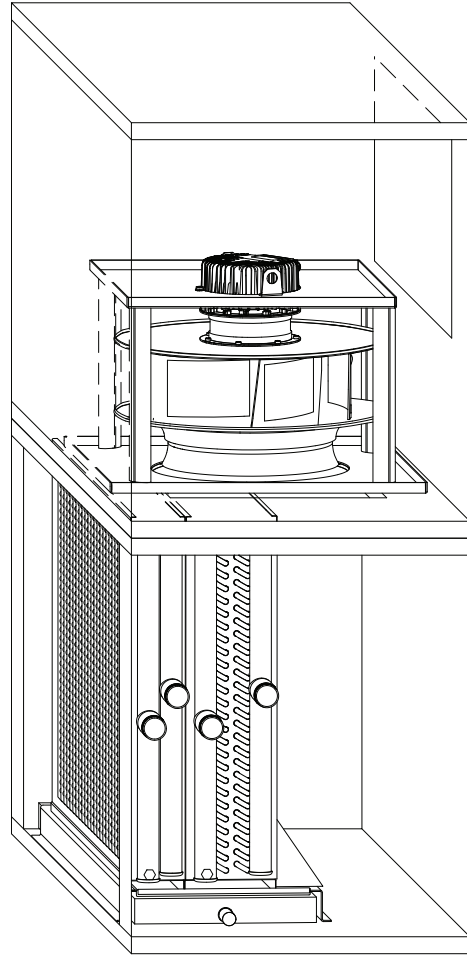


Figure 4. FC fan/mixing box with bottom discharge — horizontal draw-thru



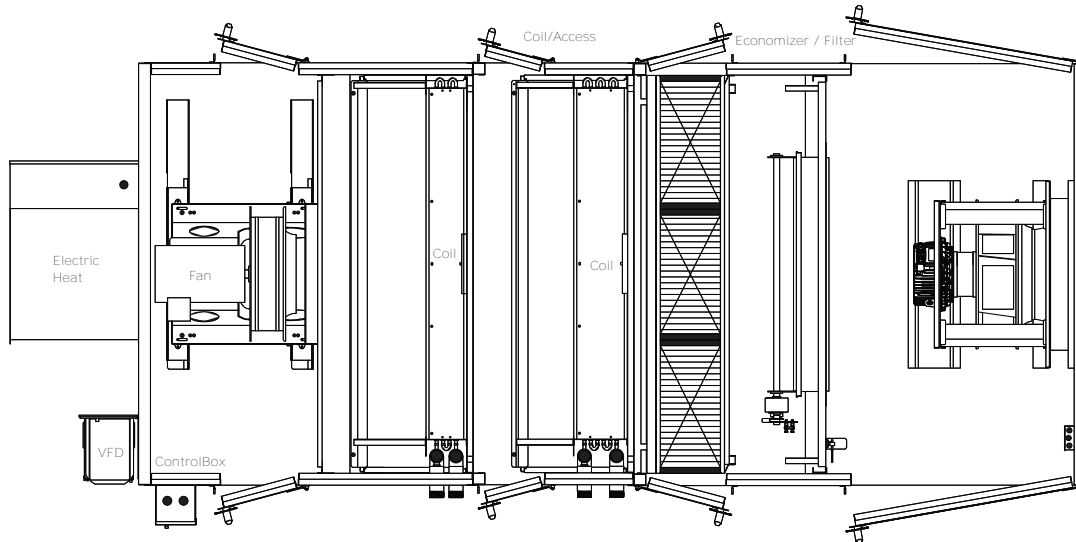
**Vertical Draw-Thru**

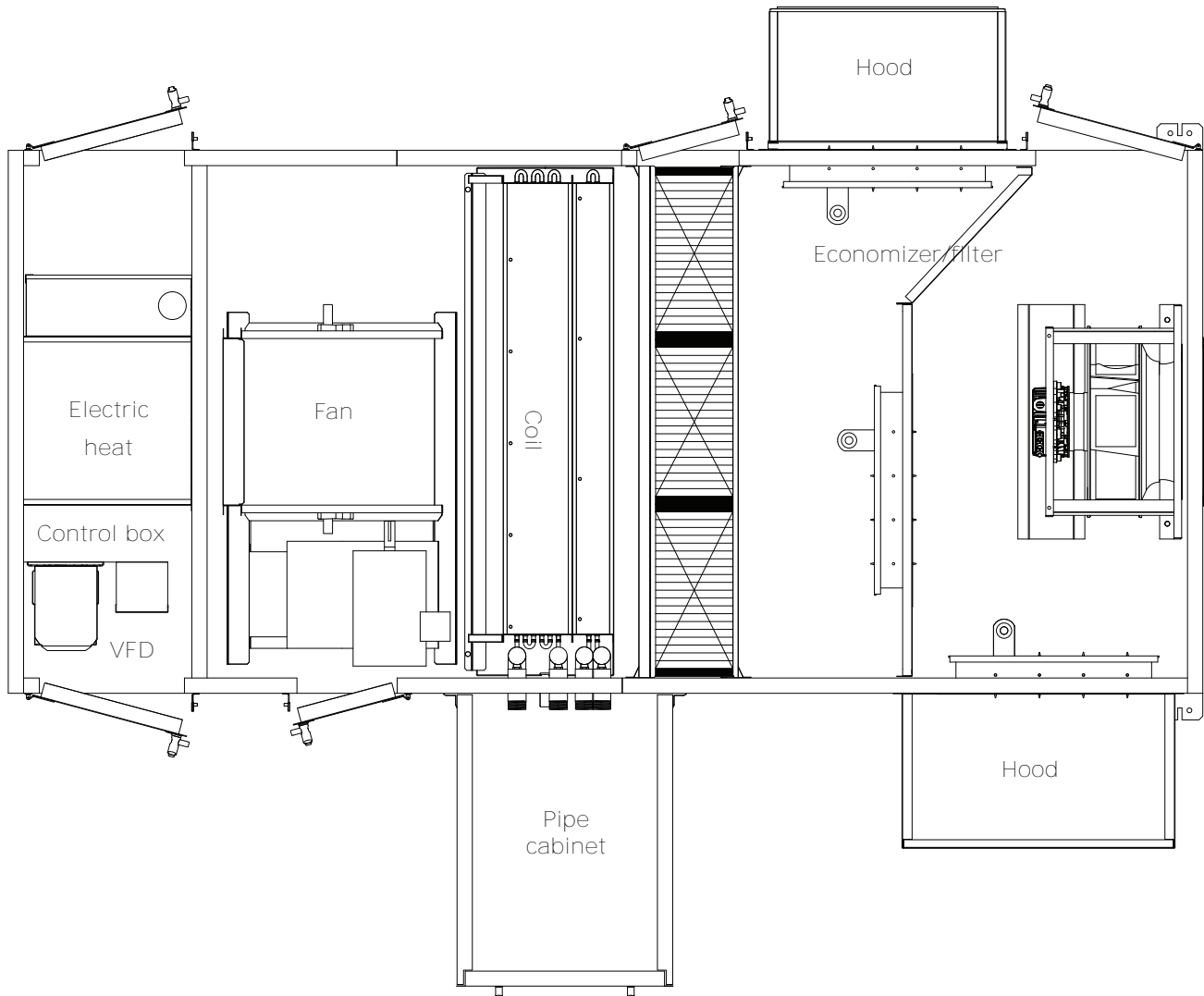
Trane air handlers in a vertical draw-thru arrangement result in a shorter footprint than horizontal draw-thru units. This arrangement stacks a fan on top of the coil section. When designing an air handler in this configuration, a vertical draw-thru fan performance curve should be used to account for the airflow impingement by a coil as the air flows through the coil and turns up into the fan. Fan discharge location is available in the front, back, and top panels

**Figure 5. FC fan with front top discharge****Figure 6. VMI fan with front discharge**

## Building Pressurization with Return Fan and Economizer

Figure 7. Return fan economizer for indoor units



**Figure 8. Return fan economizer for outdoor units**


## Installation

Indoor horizontal units can be floor-mounted on a house-keeping pad or suspended from the ceiling. Vertical units are floor-mounted on a house-keeping pad. Outdoor units can be pier-mounted or mounted on a factory-provided or field-provided roof curb. Refer to *CLCH-SVN006\*-EN Roof Curbs for Performance Climate Changer™ UCCA Air Handlers Installation Instructions*.

All units are shipped with the isolation system tied down for shipment purposes. To utilize standard internal isolation, remove shipping tie-downs per *CLCH-SVX009\*-EN Performance Climate Changer UCCA Air Handler Installation, Operation, and Maintenance* manual. If external isolation is being utilized, install units with external vibration isolation on all connection points, including the ductwork connections and piping connections.

It is important to consider proper condensate management before installation. You must mount the unit high enough so that the condensate drain pan can be properly trapped. Refer to *CLCH-SVX009\*-EN IOM* for specific trapping instructions.

Install units in accordance to all applicable ASHRAE standards, SMACNA, and local code requirements.



## Operating Limitations

Do not operate unit above maximum fan speed or unit airflow as shown in the unit fan curves. Unit operation at greater than maximum fan speed can drastically reduce bearing life and result in a catastrophic failure. Operating at greater than the maximum allowable airflow in the cooling mode may result in unsatisfactory operation due to moisture carryover from the coil. In addition, it is often not economical to operate a unit at its maximum fan speed due to the greater motor power requirements.

Do not operate units with electric heat below the minimum airflow listed in *CLCH-SVX009\*-EN Performance Climate Changer UCCA Air Handler Installation, Operation, and Maintenance*. This is to prevent excessive leaving air temperatures and electric heat limit trips.

Do not operate a hydronic (or steam) coil and electric heat simultaneously. This is to prevent excessive leaving air temperatures and limit trips. Electric heat units are equipped with a lockout switch to disable the electric heater if the temperature of the hydronic (or steam) coil is greater than 95°F (35C).

Do not operate coils above the fluid flow limits listed in the installation manual. This is to prevent noise and erosion within the coil. A minimum or "self venting" fluid flow rate is also listed in the installation manual. If coils operate below this flow rate, you should periodically vent them by flushing at a higher flow rate. These low fluid flow rates may also be too low to be included in the AHRI certification.

## DX Cooling Units

Performance air handlers with a DX cooling coil will often be connected to an air-cooled condensing unit. Some condensing units have two, independent refrigeration circuits, while the DX coil in size 3 through 10 units can be configured with a single circuit. Do not manifold two, independent refrigeration circuits into a single-circuited DX (evaporator) coil. If the condensing unit does have two, independent refrigeration circuits, configure the DX coil to have either two or four distributors.

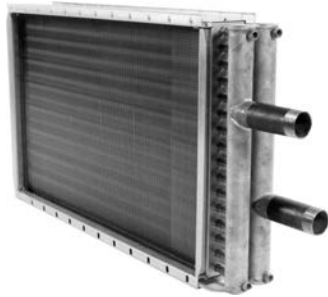
DX coils, equipped with either two or four distributors, can be configured with either intertwined or horizontal-split circuiting. Intertwined circuiting is preferred in VAV applications. At low loads, refrigerant is fed to alternating tubes, and the coil performs as though its fin surface area is substantially greater. Therefore, the coil surface can be warmer at part load, which reduces the risk of frost and still provides a constant leaving-air temperature.



## Components and Options

Performance Climate Changer air handler model UCCA provides a standard configuration with coil(s) and fan, and then allows customization with various optional accessory sections.

### Coils



The variety of Trane coil types, sizes, arrangements, and materials allows you to select a coil that is optimized for pressure drop and capacity requirements. Published coil performance is certified in accordance with AHRI Standard 410 and meets CRN standards.

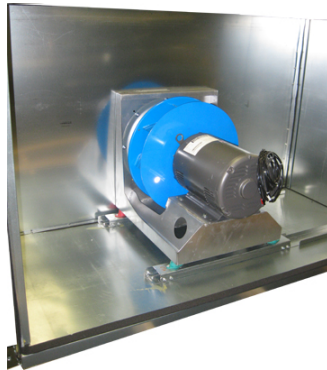
Trane is at the leading edge of coil technology. Through extensive laboratory testing and numerous job-site installations, Trane has developed an enhanced fin surface that has superior heat transfer characteristics and allows greater velocities of air to move through the cooling coil without causing moisture carryover.

The industry is familiar with the 500 fpm limit through a cooling coil as a “rule of thumb” to safeguard against moisture carryover. However, some applications have tight dimensional constraints that require high coil face velocities. Trane’s fin design extends this limit in excess of 625 fpm, depending upon air conditions, coil size, and spacing. Tested data for moisture carryover is incorporated in the Trane Official Product Selection System (TOPSS™). In cases where moisture carryover is possible, the TOPSS program alerts you to this fact with a moisture carryover warning.

Coil options include the following:

- Four and six-row 3/8-inch OD refrigerant coils
- One, two, four, six, and eight-row 3/8-inch OD hot water coils
- One, two, four, six, and eight-row 3/8-inch OD chilled water coils
- Four, six, and eight-row 1/2-inch OD chilled water coils
- Four and six-row 1/2-inch OD turbulated chilled water coils
- Four and six-row 1/2-inch OD refrigerant coils
- One and two-row 1/2-inch OD hot water coils
- One-row, 1-inch OD distributing-type steam coils

## Fans



Trane offers flexible fan types and options, including variable-frequency drives (VFDs) for modulation in variable-air-volume (VAV) systems.

Supply fan types include:

- Single-width/single-inlet (SWSI) direct-drive plenum fans with front or top discharge for indoor units; front or bottom discharge for outdoor applications.
- Double-width/double-inlet (DWDI) centrifugal forward-curved (FC) fans with front or top discharge for indoor units; front or bottom discharge for outdoor applications.

Return fan types include:

- Single-width/single-inlet (SWSI) direct-drive plenum fans with electronically commuted (EC) motors that include integral speed control. These fans can be vertically arranged for bottom inlet or horizontally arranged for back inlet.

Each fan is rated in accordance with Standard 430 of the Air Conditioning Heating and Refrigeration Institute (AHRI) and all DWDI fans are AHRI Standard 430-certified to assure published performance.

To verify that fan performance will satisfy design requirements, use the TOPSS™ selection program. The AHRI Standard 430-certified fan curves include the fan section casing effect. TOPSS also takes into account air density, fan and motor heat, drive losses, and use of high-performance filters that affect fan performance.

## Mixing Box/Filter Section



A mixing box is available for those applications where both return air and fresh air are delivered directly to the unit or as part of an economizer control strategy. The mixing box also has the flexibility to provide a wide variety of filtration options, including 2-inch flat or angled filters and 2-inch/4-inch combination flat filters.

Effectively controlling particulates by removing them from the air stream is key to good IAQ. That necessitates proper filter selection. In addition to mixing box/filter sections, filter sections are also available with angled or flat filters.

## Economizer/Filter Section



The economizer section, along with the return fan, provides an exhaust path for return air, allowing the system to provide natural, non-mechanical cooling when outdoor air conditions are suitable. It also allows for building pressure control. Single-point power is standard for this unit. If a return fan economizer is chosen, there is the option of having dual-point power.

The economizer section has the flexibility to provide a wide variety of filtration options, including:

- 2-inch flat filter
- 2-inch angled filter
- 2-inch/4-inch combination flat filter



## Components and Options

---

### Electric Heat

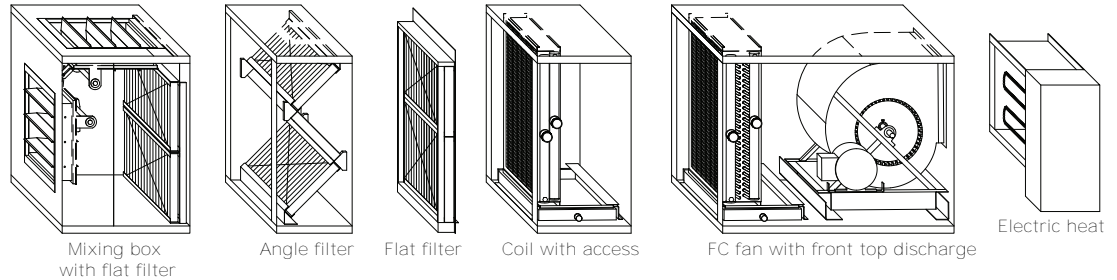


In addition to hydronic and steam coil options, the unit is also available with a unit mounted electric heater in the reheat position. The unit will have single-point power connection to the electric heater. The heater is available with SSR full modulating control.

# General Data

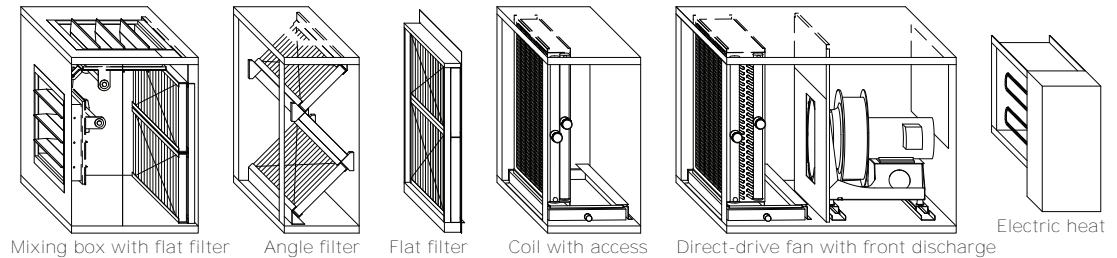
## Unit Configurations and Components

**Figure 9. Indoor horizontal FC fan configuration**



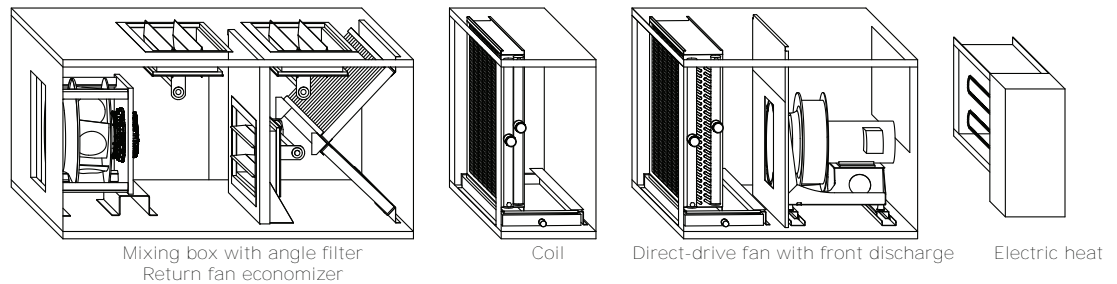
**Note:** Not all available configurations are shown. Discharges available include front and top. Main unit ships fully assembled. Accessory sections ship separately.

**Figure 10. Indoor horizontal unit with DDP fan configuration**



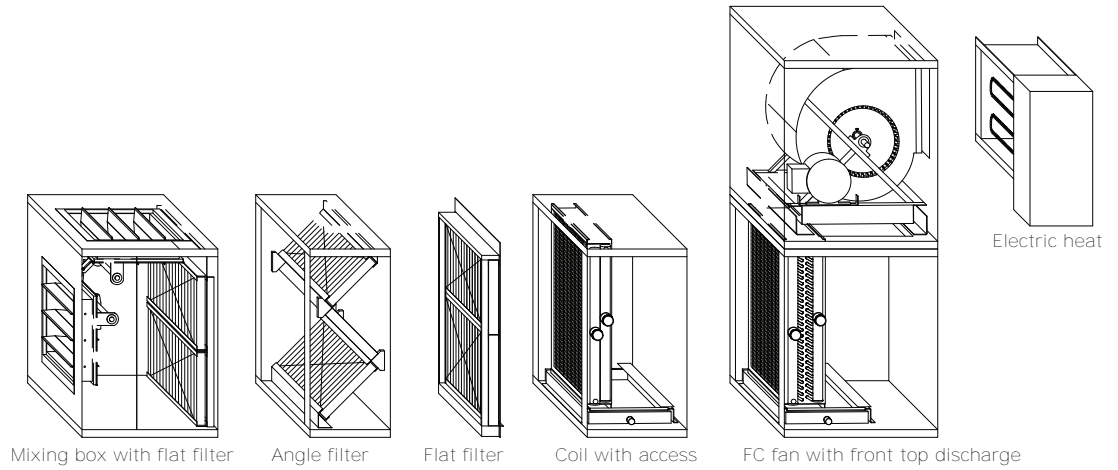
**Note:** Not all available configurations are shown. Discharges available include front and top. Main unit ships fully assembled. Accessory sections ship separately.

**Figure 11. Indoor horizontal unit with DDP fan and return fan economizer configuration**



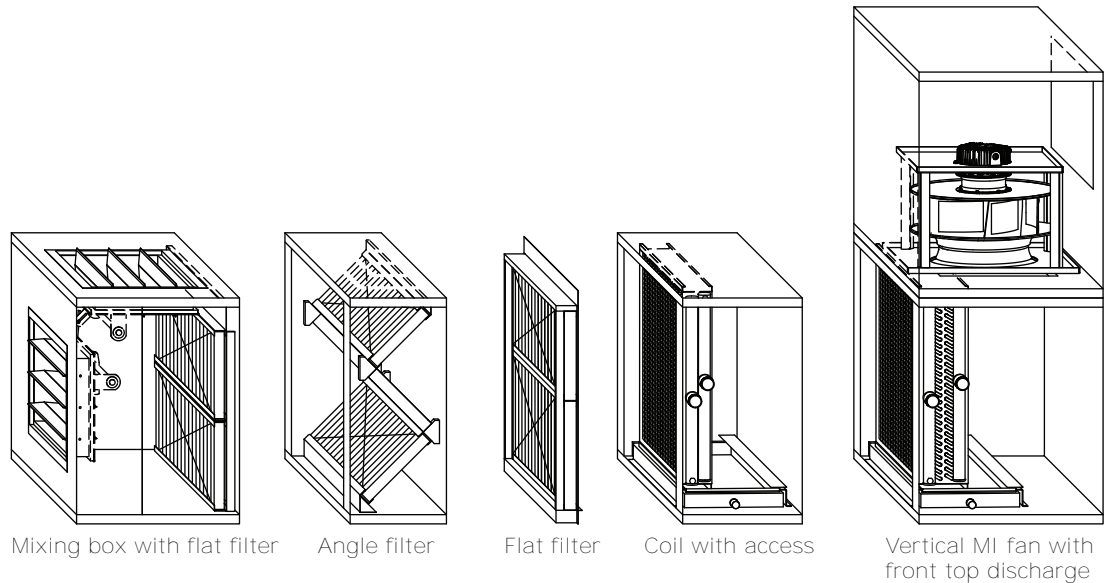
**Note:** Not all available configurations are shown. Discharges available include front and top. Returns available include back and top. Main unit ships fully assembled. Accessory sections ship separately.

**Figure 12. Indoor vertical unit with FC fan configuration**



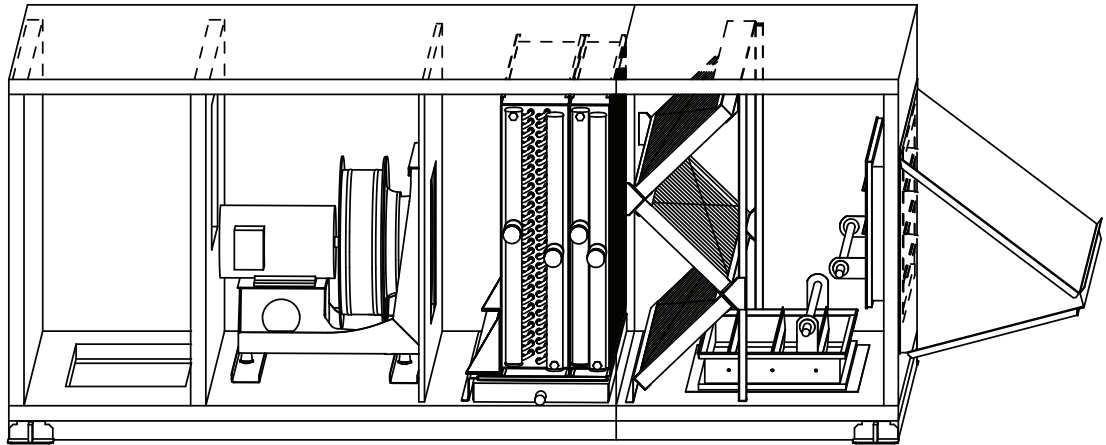
**Note:** Not all available configurations are shown. Discharges available include front, top and back. Main unit ships fully assembled. Accessory sections ship separately.

**Figure 13. Indoor vertical unit with motorized impeller (MI) fan configuration**

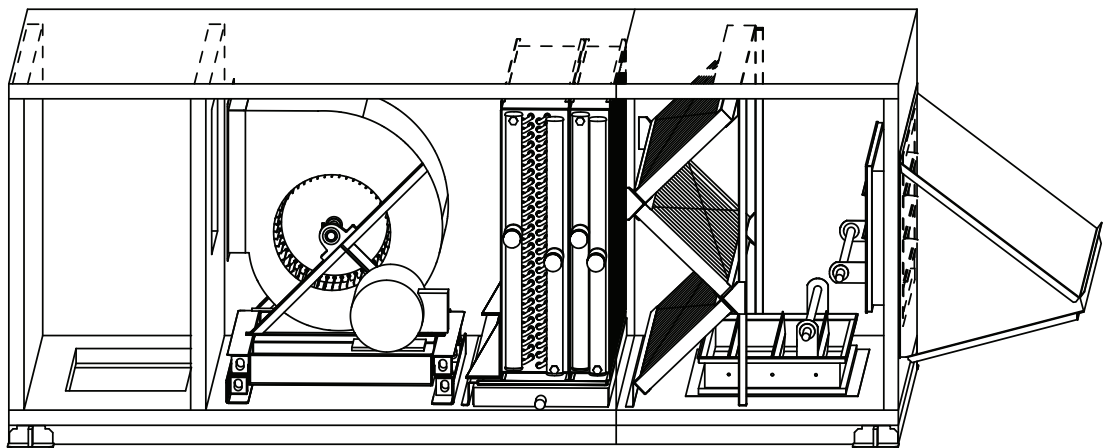


**Note:** Not all available configurations are shown. Discharges available include front, top and back. Main unit ships fully assembled. Accessory sections ship separately.

**Figure 14. Outdoor unit with DDP fan configuration**

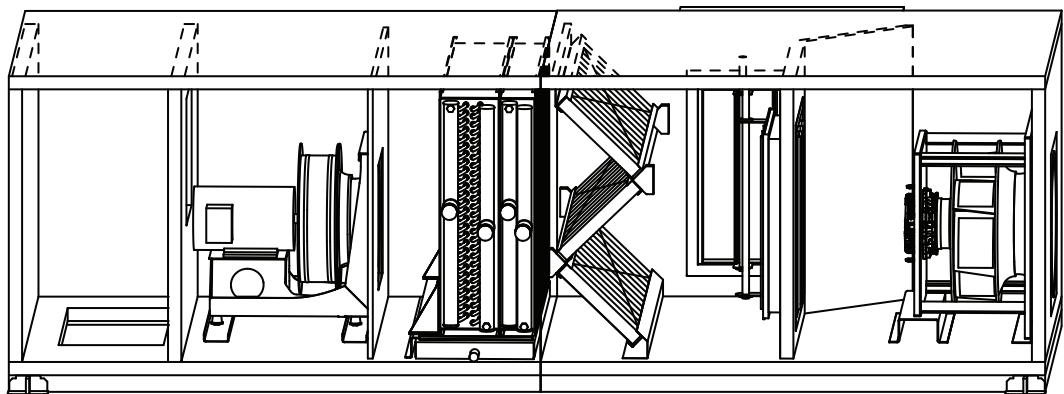


**Figure 15. Outdoor unit with FC fan configuration**



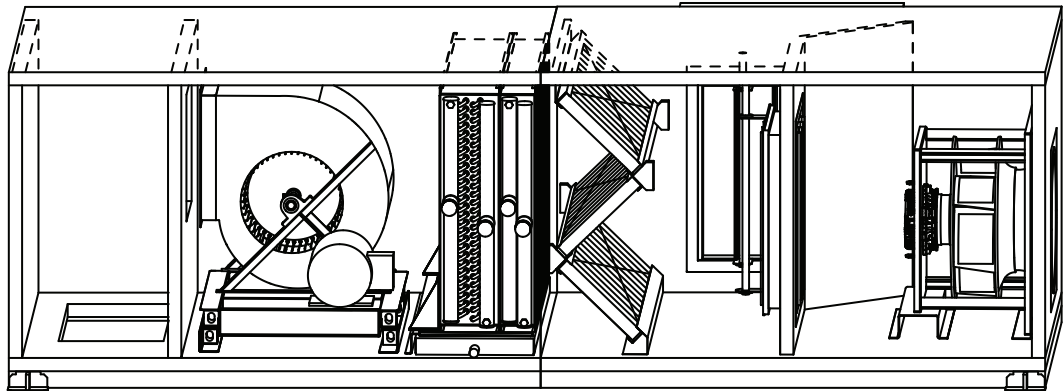
**Note:** Not all available configurations are shown. Discharges available include front and bottom. Main unit ships fully assembled. Pipe cabinet and hoods ship separately.

**Figure 16. Outdoor unit with DDP fan and return fan economizer configuration**



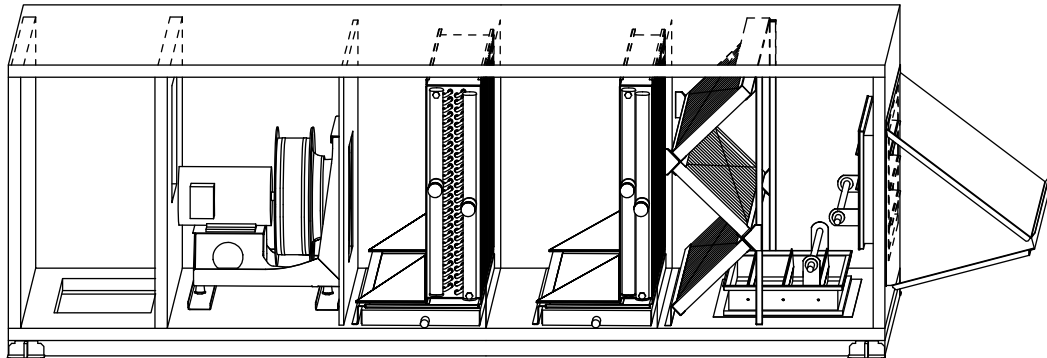
**Note:** Not all available configurations are shown. Discharges available include front and bottom. Returns available include back and bottom. Main unit ships fully assembled. Pipe cabinet and hoods ship separately.

**Figure 17. Outdoor unit with FC fan and return fan economizer configuration**

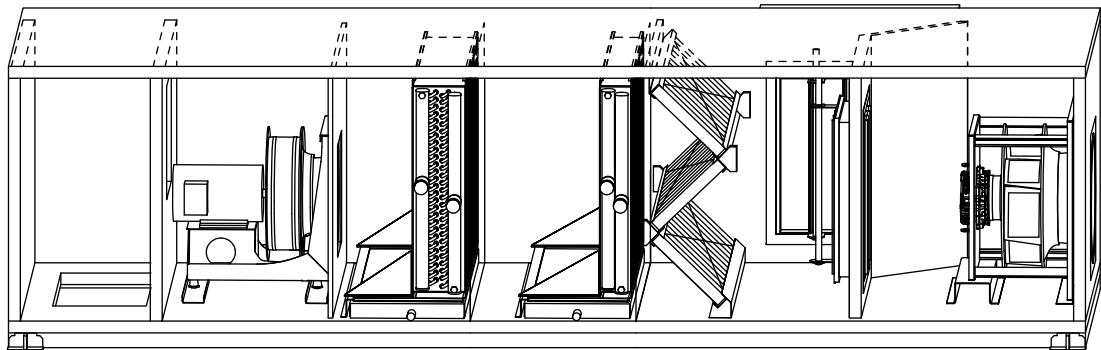


**Note:** Not all available configurations are shown. Discharges available include front and bottom. Returns available include back and bottom. Main unit ships fully assembled. Pipe cabinet and hoods ship separately.

**Figure 18. Outdoor unit with DDP fan configuration and coil with access**



**Figure 19. Outdoor unit with DDP fan, coil with access and return fan economizer configuration**



## Unit Data

**Table 1. Performance air handler model UCCA data**

Nom airflow (CFM)	1500	3000	4000	5000	6000	7000	8500	10500	12500	15000
Unit size	3	6	8	10	12	14	17	21	25	30
<b>Indoor units</b> (dimensions in inches)										
Horizontal unit height <sup>(a)</sup>	27.50	32.50	38.00	38.00	41.75	45.57	48.07	54.32	60.57	60.57



**Table 1. Performance air handler model UCCA data (continued)**

<b>Nom airflow (CFM)</b>	<b>1500</b>	<b>3000</b>	<b>4000</b>	<b>5000</b>	<b>6000</b>	<b>7000</b>	<b>8500</b>	<b>10500</b>	<b>12500</b>	<b>15000</b>
<b>Unit size</b>	<b>3</b>	<b>6</b>	<b>8</b>	<b>10</b>	<b>12</b>	<b>14</b>	<b>17</b>	<b>21</b>	<b>25</b>	<b>30</b>
Horizontal unit width	34.00	47.00	51.00	63.00	71.00	71.00	79.00	79.00	81.00	94.00
Horizontal unit length	51.94	54.94	52.31	54.66	54.66	56.16	60.16	60.24	62.94	69.56
Vertical unit height with FC fan	51.40	61.30	65.10	69.90	80.10	83.80	92.90	99.20	n/a	n/a
Vertical unit height with MI fan	46.33	53.82	62.42	63.98	67.73	74.13	72.41	80.23	86.48	89.13
Vertical unit width	34.00	47.00	51.00	63.00	71.00	71.00	79.00	79.00	81.00 <sup>(b)</sup>	94.00 <sup>(b)</sup>
Vertical unit length	34.10	37.10	29.40	32.10	36.10	36.10	42.10	42.10	47.10 <sup>(b)</sup>	47.10 <sup>(b)</sup>
<sup>1</sup> Size 25 and 30 not available with FC fan.										
<b>Outdoor units</b> (dimensions in inches)										
Horizontal unit height	31.80	36.80	42.30	42.30	46.10	49.90	52.40	58.60	64.90	64.90
Horizontal unit width	41.25	54.25	58.25	70.25	78.25	78.25	86.25	86.25	88.25	101.25
Horizontal unit length	76.00	79.00	76.40	78.70	78.70	80.20	84.30	84.30	87.00	93.60
<b>Coils</b>										
<b>Hydronic/DX coils</b> (galvanized and stainless steel casing)										
Area (ft <sup>2</sup> )	2.80	5.60	7.60	9.90	12.30	14.30	16.30	20.4.00	24.00	28.50
Width (in.)	17.50	22.50	27.50	27.50	30.00	35.00	35.00	43.75	50.00	50.00
Length (in.)	23.00	36.00	40.00	52.00	59.00	59.00	67.00	67.00	69.00	82.00
Velocity (fpm)	537	533	524	504	488	488	522	516	522	527
<b>Dry Weight (lb.)</b>										
- 1-row hydronic	23	34	42	51	63	72	78	92	110	122
- 2-row hydronic	29	46	57	71	87	101	110	133	155	176
- 4-row hydronic	46	75	96	122	149	171	189	239	271	310
- 4-row DX	39	67	90	115	137	157	177	213	247	292
- 6-row hydronic	58	98	127	161	197	228	253	320	366	423
- 6-row DX	52	92	121	153	185	213	238	297	341	405
- 8-row hydronic	73	125	162	207	254	293	327	410	472	547
<b>Wet Weight (lb.)</b>										
- 1-row	29	43	52	64	81	93	101	119	142	158
- 2-row	37	58	74	91	115	132	145	179	209	237
- 4-row	59	97	125	158	196	226	250	318	364	417
- 6-row	76	129	168	213	264	306	340	431	497	575
- 8-row	97	165	217	275	340	394	439	554	641	745
<b>Steam coils</b>										
Area (ft <sup>2</sup> )	1.80	4.40	6.50	8.50	9.80	13.30	15.10	16.80	21.30	25.30
Width (in.)	12.00	18.00	24.00	24.00	24.00	33.00	33.00	18.00 18.00	12.00 33.00	12.00 33.00
Length (in.)	22.00	35.00	39.00	51.00	58.00	58.00	66.00	67.00	68.00	81.00



## General Data

**Table 1. Performance air handler model UCCA data (continued)**

Nom airflow (CFM)	1500	3000	4000	5000	6000	7000	8500	10500	12500	15000
<b>Unit size</b>	<b>3</b>	<b>6</b>	<b>8</b>	<b>10</b>	<b>12</b>	<b>14</b>	<b>17</b>	<b>21</b>	<b>25</b>	<b>30</b>
Velocity (fpm)	818	686	615	588	610	527	562	627	588	593
Weight (lb.)	31	54	75	86	93	122	132	156	239	266
<b>Supply Fan/Motor data</b>										
<b>FC fans</b>										
Wheel size (in.)	9 x 7	12 x 9	12 x 12	15 x 15	18 x 15	18 x 18	20 x 15	20 x 20	20 x 18	22 x 20
Maximum rpm	2000	1500	1700	1400	1200	1200	1100	1000	1300	1150
Motor hp	1-2	1-3	1-5	1 - 5	1 - 7 1/2	1 - 7 1/2	1 - 10	2 - 15	3 - 15	1 1/2 - 15
Minimum design cfm	1050	2100	2800	3500	4200	4900	5950	7350	8750	10,500
<b>DDP fans</b>										
Wheel size (in.)	11	14	16	18	18	20	20	2 x 18	2 x 20	2 x 20
Maximum rpm	4600	3600	3400	3025	3025	2720	2720	3025	2720	2720
Motor hp	1-3	1 1/2 - 7 1/2	2 - 7 1/2	3 - 7 1/2	3 - 10	3 - 10	3 - 15	3- 10	3- 10	5 - 15
<b>MI fans (std TSP)</b>										
Wheel size (mm)	280	n/a	400	n/a	500	560	2 x 400	n/a	2 x 500	2 x 560
Maximum rpm	3100	n/a	2550	n/a	2200	1750	2550	n/a	2200	1750
Motor hp (kW)	1	n/a	3	n/a	6	6	3	n/a	6	6
<b>MI fans (high TSP)</b>										
Wheel size (mm)	310	400	450	500	2 x 450	2 x 450	2 x 450	2 x 500	n/a	n/a
Maximum rpm	3900	2550	2750	2200	2750	2750	2750	2200	n/a	n/a
Motor hp (kW)	3	3	6	6	6	6	6	6	n/a	n/a
<b>Filters (height x width — inches) with quantity per size</b>										
<b>2 in. and 2/4 in. combination flat filter</b>										
- 16 x 20			4		2	2	4	2		
- 16 x 25				4	1	1		2	2	6
- 20 x 20					2	2	4	2		
- 20 x 25	1	2			1	1		2	6	4
Area (ft <sup>2</sup> )	3.50	6.90	8.90	11.10	16.30	16.30	20.00	22.50	26.40	30.60
Nominal Velocity (fpm)	432	432	450	450	369	431	425	467	474	491
<b>2-in. Angle Filter</b>										
- 16 x 20				2	6	6	6	4		12
- 16 x 25	2				3	3		8		
- 20 x 20		4	2	4			6			8
- 20 x 25			2						12	
Area (ft <sup>2</sup> )	5.60	11.10	12.50	15.60	21.70	21.70	30.00	31.10	41.70	48.90
Nominal Velocity (fpm)	270	270	320	321	277	323	283	338	300	307

**Table 1. Performance air handler model UCCA data (continued)**

Nom airflow (CFM)	1500	3000	4000	5000	6000	7000	8500	10500	12500	15000
Unit size	3	6	8	10	12	14	17	21	25	30
<b>Mixing Box</b>										
Damper Area (ft <sup>2</sup> )	1.30	2.40	3.10	4.10	5.10	5.60	7.00	8.20	10.30	12.00
Nominal Velocity (fpm)	1167	1225	1289	1206	1178	1239	1217	1278	1208	1247
<b>Economizer</b>										
Damper Area (ft <sup>2</sup> )	1.14	2.30	3.13	3.96	4.63	5.39	6.67	8.54	9.98	11.70
Nominal Velocity (fpm)	1311	1304	1278	1263	1297	1299	1275	1230	1253	1282

<sup>(a)</sup> Add 6 inches for units with optional baserail.

<sup>(b)</sup> Hydronic coil weight based on 14 fins per inch. Steam coil weight based on 6 fins per inch. Coil width = length in direction of coil header, typically vertical. Coil length = length of coil in direction of the coil tubes, typically horizontal and perpendicular to airflow. Unit sizes 21-30 have two stacked steam coils. Fan wheel size is diameter x length of blade (width). Minimum airflow limit is for units with hot water, steam, or electric heat. There is no minimum airflow for cooling-only units.



## Coil Data

Table 2. Number of circuits and distributors for 1/2 inch coils

Unit Size	Single				Horizontal Face Split				Intertwined			
	Dist	Circuits	Fin Width	Fin Length	Dist	Circuits	Fin Width	Fin Length	Dist	Circuits	Fin Width	Fin Length
3	1	3	17.50	23.00	-	-	-	-	-	-	-	-
6	1	5	22.50	36.00	-	-	-	-	-	-	-	-
8	1	7	27.50	40.00	2	7	27.50	40.00	2	7	27.50	40.00
10	1	10	27.50	52.00	2	10	27.50	52.00	2	10	27.50	52.00
12	-	-	-	-	2	11	30.00	59.00	2	11	30.00	59.00
14	-	-	-	-	2	13	35.00	59.00	2	13	35.00	59.00
17	-	-	-	-	2	13	35.00	67.00	2	13	35.00	67.00
21	-	-	-	-	2	17	43.75	67.00	4	17	43.75	67.00
25	-	-	-	-	2	19	50.00	69.00	4	19	50.00	69.00
30	-	-	-	-	4	39	50.00	82.00	4	39	50.00	82.00

Table 3. 1/2 inch coil data

Size	1/2 in. Hydronic/DX coil			Size	1/2 in. Steam coil		
	Width (in)	Length (in)	Coil Area (ft <sup>2</sup> )		Width (in)	Length (in)	Coil Area (ft <sup>2</sup> )
3	17.50	23.00	2.80	3	12.00	22.00	1.80
6	22.50	36.00	5.60	6	18.00	35.00	4.40
8	27.50	40.00	7.60	8	24.00	39.00	6.50
10	27.50	52.00	9.90	10	24.00	51.00	8.50
12	30.00	59.00	12.30	12	24.00	59.00	9.80
14	35.00	59.00	14.30	14	33.00	58.00	13.30
17	35.00	67.00	16.30	17	33.00	66.00	15.10
21	43.75	67.00	20.40	21	18.00	67.00	16.80
25	50.00	69.00	24.00		18.00	67.00	
30	50.00	82.00	28.50	25	12.00	68.00	21.30
					33.00	68.00	
				30	12.00	81.00	25.30
					33.00	81.00	



# Performance Data

## Coil Data

**Table 4. Hydronic/DX coil performance data**

Size	Width (in)	Length (in)	Coil Area (ft <sup>2</sup> )
3	17.50	23.00	2.80
6	22.50	36.00	5.60
8	27.50	40.00	7.60
10	27.50	52.0	9.90
12	30.00	59.00	12.30
14	35.00	59.00	14.30
17	35.00	67.00	16.30
21	43.75	67.00	20.40
25	50.00	69.00	24.00
30	50.00	82.00	28.50

**Table 5. Steam coil performance data**

Size	Width (in)	Length (in)	Coil Area (ft <sup>2</sup> )
3	12.00	22.00	1.80
6	18.00	35.00	4.40
8	24.00	39.00	6.50
10	24.00	51.00	8.50
12	24.00	59.00	9.80
14	33.00	58.00	13.30
17	33.00	66.00	15.10
21	18.00	67.00	16.80
	18.00	67.00	
25	12.00	68.00	21.30
	33.00	68.00	
30	12.00	81.00	25.30



## Performance Data

### Fan/Motor Data

Table 6. Supply fan motor data

Unit Size	3	6	8	10	12	14	17	21	25	30
<b>Nominal Airflow (cfm)</b>	<b>1500</b>	<b>3000</b>	<b>4000</b>	<b>5000</b>	<b>6000</b>	<b>7000</b>	<b>8500</b>	<b>10,500</b>	<b>12,500</b>	<b>15,000</b>
Minimum Design CFM	1050	2100	2800	3500	4200	4900	5950	7350	8750	10,500
Maximum Design CFM	1800	3600	4800	6000	7200	8400	10,200	12,600	15,000	18,000
<b>FC fans</b>										
Wheel size (in)	9x7	12x9	12x12	15x15	18x15	18x18	20x15	20x20	20x18	22x20
Maximum RPM	2000	1500	1700	1400	1200	1200	1100	1000	1300	1150
Motor HP	1-2	1-3	1-5	1-5	1-7 1/2	1-7 1/2	1-10	2-15	3-15	1 1/2-15
<b>DDP fans</b>										
DDP Fan Wheel Size (in)	11	14	16	18	18	20	20	2 x 18	2 x 20	2 x 20
Maximum RPM	4600	3600	3400	3025	3025	2720	2720	3025	2720	2720
Motor HP	1-3	1 1/2 - 7 1/2	2 - 7 1/2	3 - 7 1/2	3-10	3-10	3-15	3-10	3-10	3-15
<b>MI fans (std TSP)</b>										
Wheel size (in)	11.02	n/a	15.75	n/a	19.69	22.05	2 X 15.75	n/a	2 X 19.69	2 X 22.05
Maximum RPM	3100	n/a	2550	n/a	2200	1750	2550	n/a	2200	1750
Motor HP (Kw)	1	n/a	3	n/a	6	6	3	n/a	6	6
<b>MI fans (high TSP)</b>										
Wheel size (in)	12.2	15.75	17.72	19.69	2 X 17.72	2 X 17.72	2 X 17.72	2 X 19.69	n/a	n/a
Maximum RPM	3900	2550	2750	2200	2750	2750	2750	2200	n/a	n/a
Motor HP (Kw)	3	3	6	6	6	6	6	6	n/a	n/a

**Table 7. Return fan motor data**

Unit Size	3	6	8	10	12	14	17	21	25	30
Nominal Airflow (cfm)	1,350	2,700	3,600	4,500	5,400	6,300	7,650	9,450	11,250	13,500
DDP Fan Wheel Size (in)	16.50	16.50	20.60	20.60	20.60	23.00	23.00	2 x 20.60	2 x 20.60	2 x 23.00
Maximum RPM	2,200	2,200	1,790	1,790	1,790	1,510	1,750	1,790	1,790	1,510
Motor Kilowatts	2	2	3	3	3	3	6	3	3	3
Motor HP	2.7	2.7	4	4	4	4	8	4	4	4

**Note:** Return fan nominal airflow is 90 percent of supply fan nominal airflow. Only one motor and fan size available per unit size.

## Filter Pressure Drop

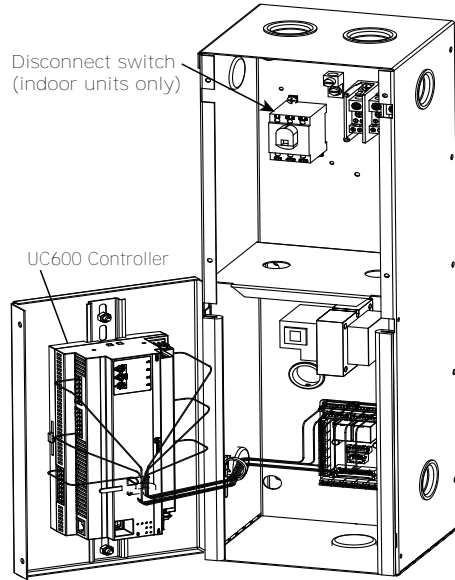
**Table 8. Filter pressure drop**

Description	Filter Status	Face Velocity (fpm)										
		150	200	250	300	350	400	450	500	550	600	650
4 inch MERV 13	Clean	0.06	0.10	0.13	0.17	0.21	0.25	0.30	0.35	0.40	0.45	0.50
	Mid-life	0.53	0.55	0.57	0.58	0.60	0.63	0.65	0.67	0.70	0.72	0.75
	Dirty	1.00	1.00	1.00	1.00	1.00	1.00	1.00	1.00	1.00	1.00	1.00
4-inch MERV 11	Clean	0.05	0.08	0.11	0.15	0.19	0.23	0.28	0.32	0.37	0.42	0.48
	Mid-life	0.53	0.54	0.56	0.57	0.59	0.62	0.64	0.66	0.69	0.71	0.74
	Dirty	1.00	1.00	1.00	1.00	1.00	1.00	1.00	1.00	1.00	1.00	1.00
2-inch MERV 13	Clean	0.08	0.12	0.16	0.21	0.26	0.31	0.36	0.42	0.48	0.54	0.61
	Mid-life	0.54	0.56	0.58	0.60	0.63	0.65	0.68	0.71	0.74	0.77	0.80
	Dirty	1.00	1.00	1.00	1.00	1.00	1.00	1.00	1.00	1.00	1.00	1.00
2-inch MERV 8	Clean	0.05	0.08	0.11	0.14	0.18	0.22	0.26	0.30	0.34	0.39	0.43
	Mid-life	0.53	0.54	0.56	0.57	0.59	0.61	0.63	0.65	0.67	0.69	0.72
	Dirty	1.00	1.00	1.00	1.00	1.00	1.00	1.00	1.00	1.00	1.00	1.00

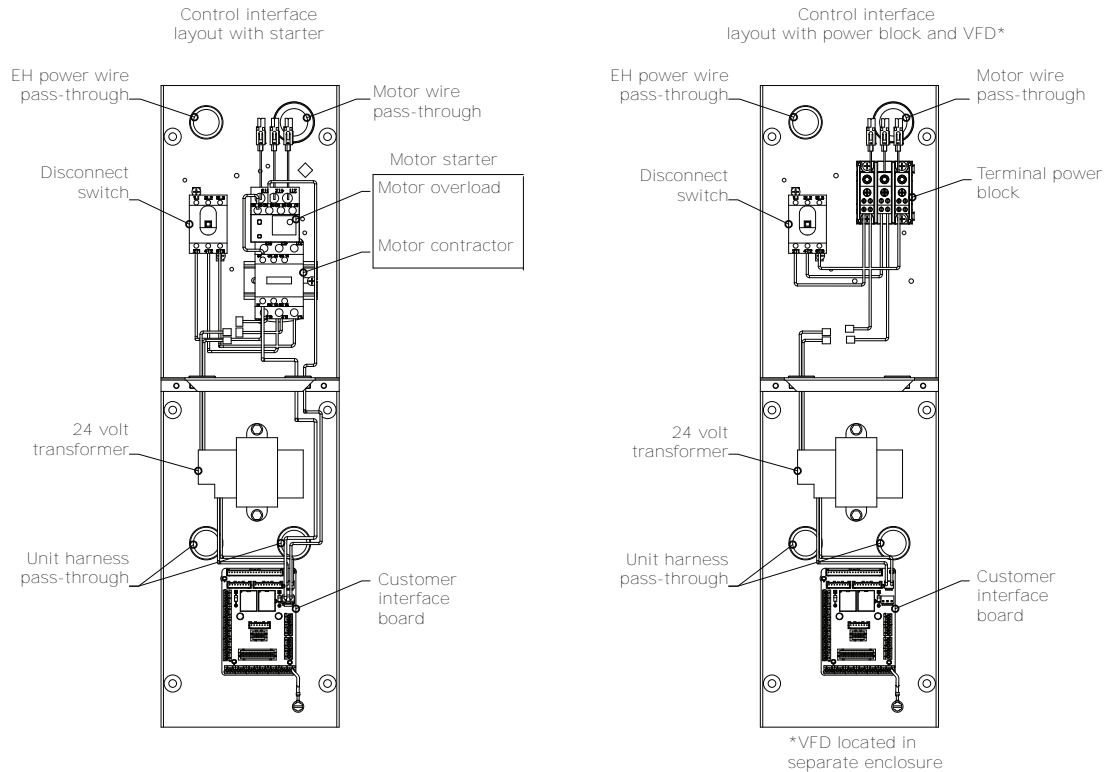
# Controls

All Performance Climate Changer air handlers are available with a number of control options, from factory-mounted end devices to fully integrated building automation systems.

**Figure 20. UC600 Controller**

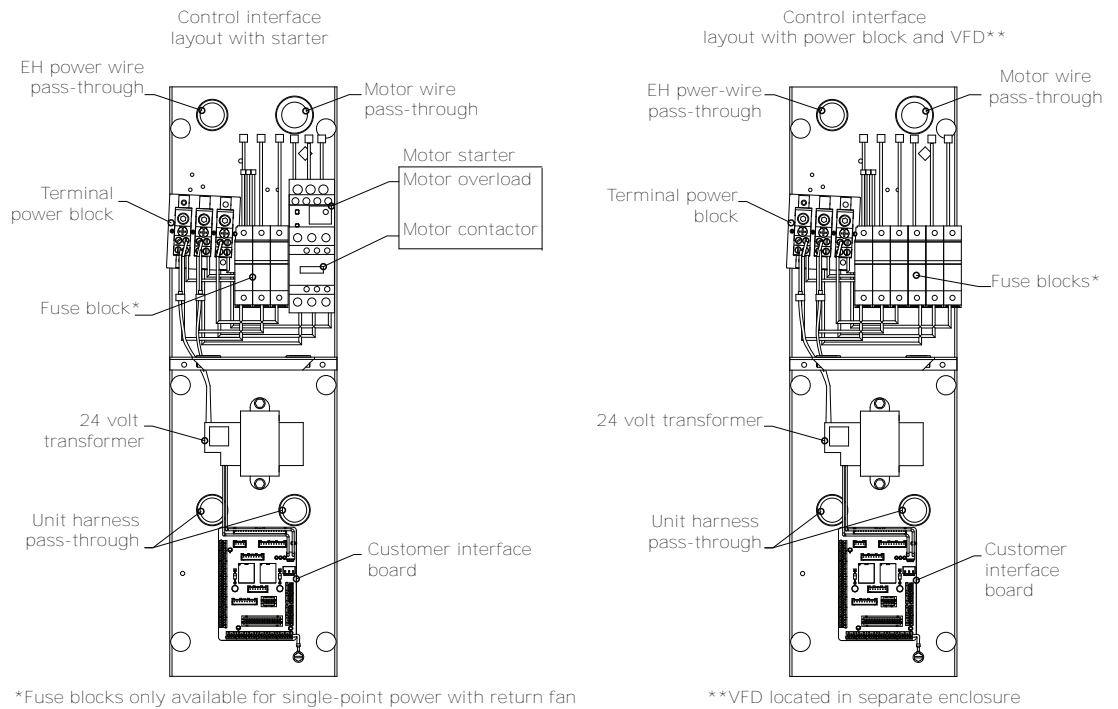


**Figure 21. Control panel components for indoor UCCA units**



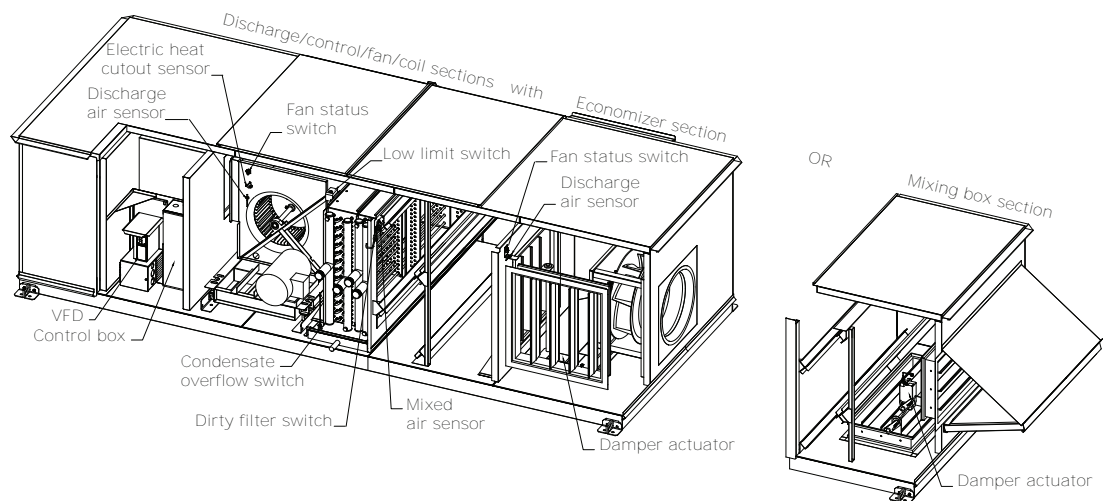


**Figure 22. Control panel components for UCCA outdoor units**



## Factory-Mounted and Wired End Devices

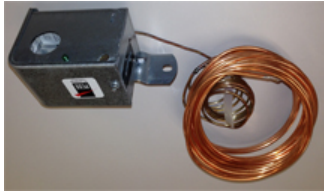
**Figure 23. Factory-mounted and wired end devices for mixing box unit or economizer unit**



**Note:** Outdoor air temperature sensor, discharge air sensors with electric heat, and duct static pressure sensors are available, but are not factory-mounted. They are shipped directly.

## Low Voltage Devices

### Low Limit Switch



When the low temperature detection device senses an entering air temperature of 36°F to the hydronic coil, the normally-closed switch opens a corresponding set of binary input terminals. The fan disables, control valves open, and the fresh air damper closes.

The low temperature detection device is an averaging type capillary tube and will reset when it detects an entering air temperature of at least 44°F. Part number X13540648.

### Condensate Overflow Switch



A float switch conforming to UL 508 is factory-installed in the drain pan that will detect a high condensate water level and used to shut off the air handler in the event that the primary drain is blocked to comply with IMC 2006. The float switch is located at a point higher than the primary drain line connection and below the overflow rim of the drain pan. When the float switch rises, the normally closed input opens a corresponding set of binary input terminals. Part number X13470527.

### Dirty Filter Switch



Differential pressure sensing switch, with diaphragm-operated contacts. Contacts have screw adjustment for accuracy. Pressure setting of 0.15 in. w.g. Part number X13240267.

### Fan Status Switch



Differential pressure sensing switch, with diaphragm-operated contacts. Contacts have screw adjustment for accuracy. Pressure setting of 0.05 in. w.g. Part number X13240269.

### Discharge Air Sensor with Electric Heat



Electronic duct temperature sensor with a sensing element type thermistor at 10k ohms at 77°F. Operating ambient limits of 40° F to 140°F. Probe dimensions of 3.40 inches long x 5/16 inch diameter. With a 24-inch 18 gauge harness attached. Factory-provided, ships loose for field mounting and wiring. Part number X13790068.

### Discharge Air Sensor



Ventilation duct temperature sensor with a sensing element type thermistor at 10k ohms at 77°F. Probe dimensions of 1.75 inches long x 1/4-inch diameter. Probe is moisture resistant and hermetically sealed with an operating limit of -22°F to 185°F. Part number X13790374.

### Mixed Air Sensor



Averaging temp sensor with aluminum probe casing. RTD material type 1,000 ohm Platinum 385 curve. Operating temperature range of -40°F to 158°F and a humidity range of five percent to 95 percent non-condensing. Part number X13790364.

### Mixing Box Actuator



This damper actuator uses a 0–10 Vdc signal and is factory-wired and mounted to the damper assembly. It allows zero to 100 percent fresh air. The damper will drive open to an adjustable minimum stop-position whenever the fan is running during occupied mode and will spring-return closed when the fan turns off.

Trane recommends using the low temperature detection option with fresh air dampers to detect possible freeze conditions N. O./N.C. refers to the back damper position. Part number X13611002.

### Outdoor Air Temperature Sensor



Thermistor-type sensors are provided by Trane as required for field-wiring. Factory-provided, ships loose for field mounting and wiring. Part number X13790861.

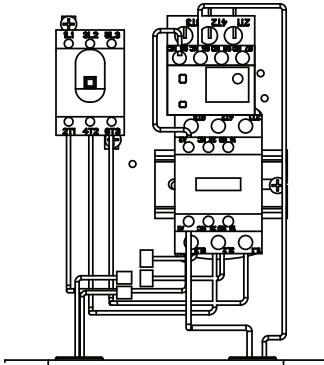
### Duct Static Pressure Sensor



Differential pressure transducer that is powered with five VDC. Uses a HI and LO air port to convert air pressure to a variable DC output signal. Has three wire leads, Red-Power, Black-Output, Green-Ground. Operating temperature range of -40°F to 158°F and a humidity range of five percent to 95 percent non-condensing. Part number X13790831.

## High Voltage Devices

### Starter



An IEC combination starter is provided for each fan motor. Each starter is properly sized, factory mounted in a metal enclosure, and wired to the fan motor to facilitate temporary heating, cooling, ventilation, and/or timely completion of the project. Starter includes one N.C. and one N.O. auxiliary contact, and manual reset overload.

## Variable Frequency Drive (VFD)



A variable frequency drive (VFD) is used when variable air volume control is required for fan operation. Whether for single fan or dual fan applications, a single VFD is used to ensure proper operation and to optimize operating life. Each VFD is properly sized, factory mounted, wired to the fan motor, and commissioned to facilitate temporary heating, cooling, ventilation, and/or timely completion of the project. The VFD package also includes:

- Electronic manual speed control
- Inlet fuses to provide maximum protection against inlet short circuit
- Current limited stall prevention
- Auto restart after momentary power loss
- Speed search for starting into rotating motor
- Anti-windmill with DC injection before start
- Phase-to-phase short circuit protection
- Ground fault protection

Units with factory-mounted controls include power wiring from the VFD panel to the control system, binary output on/off wiring, analog output-speed-signal wiring, binary fault signal wiring and all interfacing wiring between the VFD and the direct control interface. The VFD is covered by UL1995 Standards.

## Motorized Impeller



Economizer offering incorporates back or bottom inlet motorized impellers. These fans are direct-drive plenum fans with backwards inclined, high efficiency welded-aluminum impellers. The electronically commutated motor (ECM) is available for 200V, 230V, or 460V line input and contains integrated power electronics minimizing wiring and additional electrical components required. The motorized impeller accepts 0-10VDC input for variable speed control.

## Controller

### Tracer UC600 Controller



The Tracer™ UC600 is a programmable BACnet® unit controller that is designed to work with the Tracer SC and third-party BACnet MS/TP systems. The UC600 controller has the I/O and size to meet the controls needs for air handlers, central plants, and other high-point count applications.



# Electrical Data

**Table 9. Electric heat kW limits (min/max)**

Unit Size	Min Airflow (CFM)	208/3/60 Volt				230/3/60			
		1 Stage	2 Stages	4 Stages	SSR	1 Stage	2 Stages	4 Stages	SSR
3	1050	6/13	6/13	n/a	6/13	6/13	6/13	n/a	6/13
6	2100	6/26	6/26	n/a	6/26	6/26	6/26	n/a	6/26
8	2800	7/28	7/28	n/a	7/32	7/32	7/32	n/a	7/34
10	3500	8/38	8/41	n/a	8/32	8/38	8/41	n/a	8/36
12	4200	10/50	10/50	18/50	10/32	10/53	10/53	20/53	10/36
14	4900	12/50	12/50	18/50	12/32	12/59	12/59	20/59	12/36
17	5950	14/50	14/50	18/50	14/32	14/59	14/59	20/59	14/36
21	7350	17/50	17/50	18/50	17/32	17/59	17/59	20/59	17/36
25	8750	20/47	20/47	20/47	20/32	20/56	20/56	20/56	20/36
30	10,500	20/41	20/41	20/41	20/32	20/50	20/50	20/50	20/36
Unit Size	Min Airflow (CFM)	460/3/60				575/3/60			
		1 Stage	2 Stages	4 Stages	SSR	1 Stage	2 Stages	4 Stages	SSR
3	1050	6/13	6/13	n/a	6/13	6/13	6/13	n/a	6/13
6	2100	6/24	6/24	n/a	6/26	6/26	6/26	n/a	n/a
8	2800	7/32	7/32	n/a	7/34	7/34	7/34	n/a	n/a
10	3500	8/44	8/44	n/a	8/44	8/44	8/44	n/a	n/a
12	4200	10/53	10/53	41/50	10/53	10/53	10/53	50/53	n/a
14	4900	12/63	12/63	41/63	12/63	12/63	12/63	50/63	n/a
17	5950	14/75	14/75	41/75	14/71	14/75	14/75	50/75	n/a
21	7350	17/95	17/95	41/95	17/71	17/95	17/95	50/95	n/a
25	8750	20/95	20/95	41/95	20/71	20/95	20/95	50/95	n/a
30	10,500	20/120	20/120	41/120	20/71	20/120	20/120	50/120	n/a

**Note:** Units drawing less than 100 amps are available with or without door interlocking disconnect. Units drawing more than 100 amps are not available with door interlocking disconnect. Units drawing less than 48 amps are available with or without line fusing. Units drawing greater than 48 amps have line fusing as standard. Units with electric heat must not be run below the minimum cfm listed above. Most heaters available in the following kW increments: 6, 7, 8, 9, 10, 11, 12, 13, 14, 15, 16, 17, 18, 20, 22, 24, 26, 28, 30, 32, 34, 36, 38, 41, 44, 47, 50, 53, 56, 59, 63, 67, 71, 75, 79, 83, 87, 91, 95, 100, 110, 115, 120.

**Table 10. Electric heat voltage ratings**

Unit Voltage	Heater Voltage
208	208
230	240
460	480
575	600

## Useful formulas:

$$kW = (\text{Airflow} \times \Delta T) / K$$

$$\Delta T = (kW \times K) / \text{Airflow}$$

$$K = 3145 \text{ (English)}$$

$$K = 824.7 \text{ (SI)}$$

$$\text{Heater input current} = (kW \times 1000) / (\text{Voltage} \times 1.73)$$

MCA = Minimum Circuit Ampacity

MOP = Maximum Overcurrent Protection rating or Maximum fuse size

## Fuse Sizes

The standard ampere ratings for fuses and inverse time circuit breakers are listed in the table below. The use of fuse and inverse time circuit breakers with non-standard ampere ratings shall be permitted provided the rating does not exceed the maximum fuse size defined on the unit nameplate.

**Table 11. Standard fuse sizes (amperes)**

15	20	25	30	35	40	45	50	60	70
80	90	100	110	125	150	175	200	225	250
300	350	400	450	500	600	700	800	1000	
1200	1600	2000	2500	3000	4000	5000	6000		

## Transformers

**Table 12. Transformer full load current**

Description	Primary Voltage	Secondary Voltage	Volt Amps (VA)	Full Load Current
1T1 Transformer (Control) <sup>(a)</sup>	200	24	75	0.50
	230	24	75	0.43
	460	24	75	0.22
	575	24	75	0.17
Electric Heater Transformer (SSR)	208	24	75	0.48
	240	24	75	0.42
	480	24	75	0.21
	600	24	75	0.17

<sup>(a)</sup> 1T1 transformer present when control interface or UC600 is selected.

**Table 13. Control/end device power rating**

Devices	Volt Amps (VA)
35 in/lb Actuator	8
180 in/lb Actuator	10
Motor Controller	7.5
EH Stage 1 - 1 Coil	8
EH Stage 1 - 2 Coil	16
EH Stage 1 - 4 Coil	32
EH Stage 2 - 1 Coil	8
EH Stage 2 - 2 Coil	16



## Electrical Data

**Table 13. Control/end device power rating (continued)**

Devices	Volt Amps (VA)
EH Stage 4 - 1 Coil	8
K1 Relay	0.1
K2 Relay	0.1
Valve 1 Field-supplied	10
Valve 2 Field-supplied	10

## Motor Data

**Table 14. Supply fan motor amps (housed and direct-drive fans)**

HP	200 V	230 V	460 V	575 V
1	3.50	3.00	1.50	1.20
1.5	5.10	4.40	2.20	1.80
2	6.50	5.80	2.90	2.40
3	9.70	8.60	4.20	3.30
3 (3600 RPM size 3)	8.50	7.60	3.80	2.80
5	15.70	13.60	6.70	5.30
7.5	22.40	19.40	9.40	7.60
10	29.50	25.20	12.50	10.00
15	43.40	37.80	18.50	14.80

**Note:** This table used except when VFD is selected.

**Table 15. Vertical motorized impeller supply fan amps (standard static pressure)**

Unit Size	Standard static pressure			High static pressure		
	200V	230V	460V	200V	230V	460V
3	3.30	2.87	1.40	8.50	7.39	4.26
6	n/a	n/a	n/a	9.70	8.43	4.00
8	9.70	8.43	4.00	17.00	14.78	7.21
10	n/a	n/a	n/a	16.00	13.91	7.30
12	16.00	13.91	7.30	17.00	14.78	7.21
14	14.00	12.17	6.34	17.00	14.78	7.21
17	9.70	8.43	4.00	17.00	14.78	7.21
21	n/a	n/a	n/a	16.00	13.91	7.30
25	16.00	13.91	7.30	n/a	n/a	n/a
30	14.00	12.17	6.34	n/a	n/a	n/a

**Table 16. Return fan motors amps**

Unit Size	208 V	230 V	460 V
3	4.3	3.9	2.5
6	4.3	3.9	2.5
8	8.5	7.7	3.7



**Table 16. Return fan motors amps (continued)**

Unit Size	208 V	230 V	460 V
10	8.5	7.7	3.7
12	8.5	7.7	3.7
14	8.8	8.0	4.0
17	13.5	12.2	6.4
21	8.5	7.7	3.7
25	8.5	7.7	3.7
30	8.8	8.0	4.0

**Note:** Amperage listed is per motor.

**Table 17. Trane TR150 3-phase VFD inverter input current (amps)**

HP	200 V	230 V	460 V	575 V
1	4.20	4.20	2.10	3.90
1.5	6.80	6.80	3.40	3.90
2	6.80	6.80	3.40	3.90
3	15.20	15.20	4.80	3.90
5	22.00	22.00	8.20	6.10
7.5	28.00	28.00	11.00	9.00
10	42.00	42.00	14.00	11.00
15	59.40	59.40	21.00	18.00

**Table 18. Trane TR 150 dual fan VFD inverter input current (amps)**

HP	200 V	230 V	460 V	575 V
2	n/a	n/a	n/a	n/a
3	22.00	22.00	9.66	9.00
5	36.80	36.80	14.00	11.00
7.5	55.20	55.20	21.00	17.48
10	59.40	59.40	27.00	22.00
15	88.00	88.00	40.00	34.00

**Notes:**

1. A single VFD will power both fans. Individual motor overload protection will be factory-provided.
2. Two-fan array units available for unit sizes 21, 25, 30

# Equations

**Table 19. Equations for electrical load calculations**

<b>Fan motor only units<sup>(a)</sup></b>	FLA = Fan Motor FLA
	MCA = $1.25 * \text{Fan Motor FLA}$
	MOP/Maximum fuse size = $2.25 * \text{Fan Motor FLA}^{(b)}$
	Fan Motor FLA = See <a href="#">Table 14, p. 40</a>
<b>Dual fan motor only units<sup>(a)</sup></b>	FLA = $(2 * \text{Fan Motor FLA})$
	MCA = $1.25 * \text{Fan Motor FLA} + \text{Fan Motor FLA}$
	MOP/Maximum fuse size = $2.25 * \text{Fan Motor FLA} + \text{Fan Motor FLA}^{(b)}$
	Fan Motor FLA = See <a href="#">Table 14, p. 40</a>
<b>Starter units</b>	FLA = Fan Motor FLA + 1T1 Transformer
	MCA = $1.25 * \text{Fan Motor FLA} + 1\text{T1 Transformer}$
	MOP/Maximum fuse size = $2.25 * \text{Fan Motor FLA} + 1\text{T1 Transformer}^{(b)}$
	Fan Motor FLA = See <a href="#">Table 14, p. 40</a> 1T1 Transformer = See <a href="#">Table 12, p. 39</a>
<b>VFD units</b>	FLA = Inverter input current + 1T1 Transformer
	MCA = $1.25 * \text{Inverter input current} + 1\text{T1 Transformer}$
	MOP/Maximum fuse size = $2.25 * \text{Inverter input current} + 1\text{T1 Transformer}^{(b)}$
	Inverter input current = See <a href="#">Table 17, p. 41</a> 1T1 Transformer = See <a href="#">Table 12, p. 39</a>
<b>VFD dual motor units</b>	FLA = Inverter input current + 1T1 Transformer
	MCA = $1.25 * \text{Inverter input current} + 1\text{T1 Transformer}$
	MOP/Maximum fuse size = $2.25 * \text{Inverter input current} + 1\text{T1 Transformer}^{(b)}$
	Inverter input current = See <a href="#">Table 18, p. 41</a> . 1T1 Transformer = See <a href="#">Table 12, p. 39</a>
<b>Electric heat staged units with starter</b>	Electric heat FLA (208 V) = $1000 * \text{kW} / (?3 * 208)^{(c)}$
	Electric heat FLA (240 V) = $1000 * \text{kW} / (?3 * 240)^{(c)}$
	Electric heat FLA (480 V) = $1000 * \text{kW} / (?3) * 480)^{(c)}$
	Electric heat FLA (600 V) = $1000 * \text{kW} / (?3 * 600)^{(c)}$
	FLA = Electric heat FLA + Fan Motor FLA + 1T1 Transformer
	MCA if electric heat rating is less than 50 kW = $(1.25 * \text{Electric heat FLA}) + (1.25 * \text{Fan Motor FLA}) + 1\text{T1 Transformer}$
	MCA if electric heat rating is 50 kW or greater = $\text{Electric heat FLA} + (1.25 * \text{Fan Motor FLA}) + 1\text{T1 Transformer}$
	MOP/Maximum fuse size = $(2.25 * \text{Fan Motor FLA}) + \text{Electric heat FLA} + 1\text{T1 Transformer}^{(b)}$ Fan Motor FLA = See <a href="#">Table 14, p. 40</a> 1T1 Transformer = See <a href="#">Table 12, p. 39</a>

**Table 19. Equations for electrical load calculations (continued)**

<b>Electric heat SSR units with starter</b>	Electric heat FLA (208 V) =	$1000 * kW / (\sqrt{3} * 208)^{(c)}$
	Electric heat FLA (240 V) =	$1000 * kW / (\sqrt{3} * 240)^{(c)}$
	Electric heat FLA (480 V) =	$1000 * kW / (\sqrt{3} * 480)^{(c)}$
	Electric heat FLA (600 V) =	$1000 * kW / (\sqrt{3} * 600)^{(c)}$
	FLA =	Electric heat FLA + Electric Heat Transformer + Fan Motor FLA + 1T1 Transformer
	MCA if electric heat rating is less than 50 kW =	$(1.25 * \text{Electric heat FLA}) + \text{Electric Heat Transformer} + (1.25 * \text{Fan Motor FLA}) + 1T1 \text{ Transformer}$
	MCA if electric heat rating is 50 kW or greater =	Electric heat FLA + Electric Heat Transformer + $(1.25 * \text{Fan Motor FLA}) + 1T1 \text{ Transformer}$
	MOP/Maximum fuse size =	$(2.25 * \text{Fan Motor FLA}) + \text{Electric Heat Transformer} + \text{Electric heat FLA} + 1T1 \text{ Transformer}$ See <sup>(b)</sup>
	Fan Motor FLA =	See <a href="#">Table 14, p. 40</a>
	1T1 Transformer =	See <a href="#">Table 12, p. 39</a>
Electric Heat Transformer =	See <a href="#">Table 12, p. 39</a>	
<b>Electric heat staged units with VFD</b>	Electric heat FLA (208 V) =	$1000 * kW / (\sqrt{3} * 208)^{(c)}$
	Electric heat FLA (240 V) =	$1000 * kW / (\sqrt{3} * 240)^{(c)}$
	Electric heat FLA (480 V) =	$1000 * kW / (\sqrt{3} * 480)^{(c)}$
	Electric heat FLA (600 V) =	$1000 * kW / (\sqrt{3} * 600)^{(c)}$
	FLA =	Electric heat FLA + Inverter input current + 1T1 Transformer
	MCA if electric heat rating is less than 50 kW =	$(1.25 * \text{Electric heat FLA}) + (1.25 * \text{Inverter input current}) + 1T1 \text{ Transformer}$
	MCA if electric heat rating is 50 kW or greater =	Electric heat FLA + $(1.25 * \text{Inverter input current}) + 1T1 \text{ Transformer}$
	MOP/Maximum fuse size =	$(2.25 * \text{Inverter input current}) + \text{Electric heat FLA} + 1T1 \text{ Transformer}$ <sup>(b)</sup>
	Inverter input current =	See <a href="#">Table 17, p. 41</a> and <a href="#">Table 18, p. 41</a> .
	1T1 Transformer =	See <a href="#">Table 12, p. 39</a>

**Table 19. Equations for electrical load calculations (continued)**

<b>Electric heat SSR units with VFD</b>	Electric heat FLA (208 V) =	$1000 * kW / (\sqrt{3} * 208)^{(c)}$
	Electric heat FLA (240 V) =	$1000 * kW / (\sqrt{3} * 240)^{(c)}$
	Electric heat FLA (480 V) =	$1000 * kW / (\sqrt{3} * 480)^{(c)}$
	Electric heat FLA (600 V) =	$1000 * kW / (\sqrt{3} * 600)^{(c)}$
	FLA =	Electric heat FLA + Electric Heat Transformer + Inverter input current + 1T1 Transformer
	MCA if electric heat rating is less than 50 kW =	$(1.25 * \text{Electric heat FLA}) + \text{Electric Heat Transformer} + (1.25 * \text{Inverter input current}) + 1T1 \text{ Transformer}$
	MCA if electric heat rating is 50 kW or greater =	$\text{Electric heat FLA} + \text{Electric Heat Transformer} + (1.25 * \text{Inverter input current}) + 1T1 \text{ Transformer}$
	MOP/Maximum fuse size =	$(2.25 * \text{Inverter input current}) + \text{Electric heat FLA} + \text{Electric Heat Transformer} + 1T1 \text{ Transformer}$ See Note 2
	Inverter input current =	See <a href="#">Table 17, p. 41</a> and <a href="#">Table 18, p. 41</a> .
	1T1 Transformer =	See <a href="#">Table 12, p. 39</a>
Electric Heat Transformer =	See <a href="#">Table 12, p. 39</a>	

(a) Individual motor overload protection must be field-provided.

(b) Round down to next smaller fuse size unless rounded value is below MCA, or 1.25\* electric heat FLA, in which case round up to next largest fuse size above MCA.

(c)  $\sqrt{3}$  is approximately 1.732.

# Dimensions and Weights

## Service Clearances

Figure 24. Service clearances for indoor units

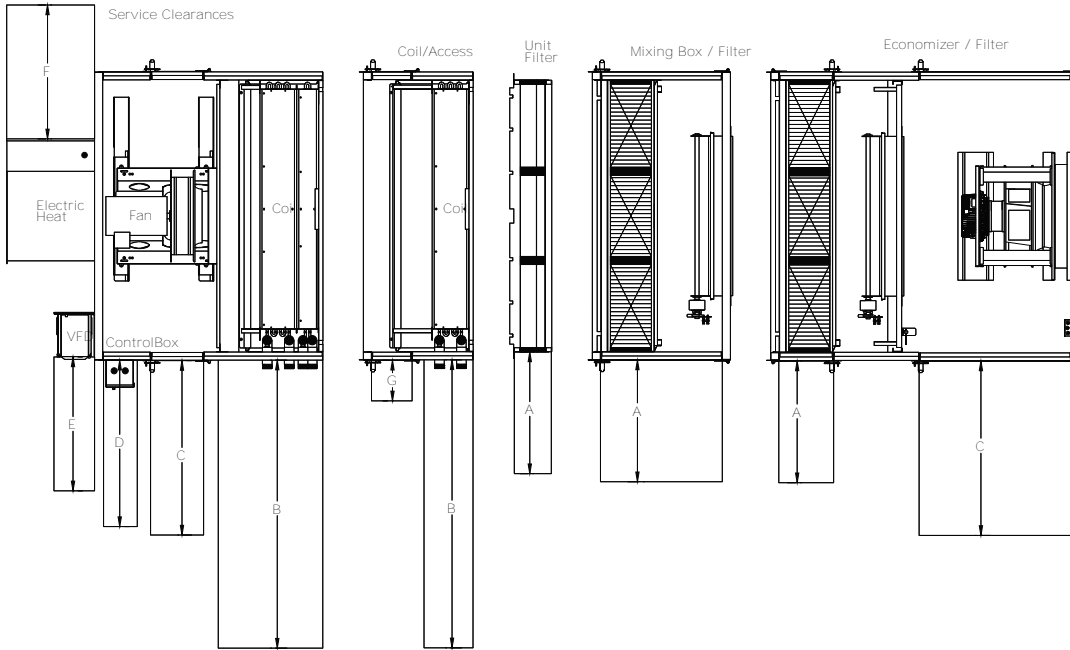


Table 20. Service clearance dimensions (inches) for indoor units

	Component	Unit Sizes									
		3	6	8	10	12	14	17	21	25	30
A	Filter	40.0	44.0	42.0	42.0	40.0	45.0	45.0	45.0	51.0	51.0
B	Coil Pull	49.0	62.0	66.0	78.0	86.0	86.0	94.0	94.0	96.0	109.0
C	Fan Access, horizontal unit (motor side)	48.0	48.0	48.0	51.0	54.0	58.0	61.0	61.0	66.0	66.0
C	Fan Access, vertical unit (motor side)	48.0	48.0	48.0	51.0	54.0	58.0	61.0	61.0	n/a	n/a
C	Fan Access, vert unit with MI fan (motor side)	48.0	48.0	48.0	51.0	54.0	58.0	61.0	61.0	66.0	66.0
C	Fan Access, return section (motor side)	48.0	48.0	48.0	51.0	54.0	58.0	61.0	61.0	66.0	66.0
D	Control Box	56.0	56.0	56.0	56.0	56.0	56.0	56.0	56.0	56.0	56.0
E	VFD	48.0	48.0	48.0	48.0	48.0	48.0	48.0	48.0	48.0	48.0
F	EH	48.0	48.0	48.0	48.0	48.0	48.0	48.0	48.0	48.0	48.0
G	Access Door - Access Section	15.0	15.0	15.0	15.0	15.0	15.0	15.0	15.0	15.0	15.0

**Notes:**

1. At a minimum, the above clearance dimensions are recommended on one side of the unit for regular service and maintenance. Clearance on *both* sides is recommended. Refer to as-built submittal for locations of items such as filter access doors, coil, piping connections, motor locations, etc. Sufficient clearance must be provided on all sides of unit for removal of access panels, plug panels, or section-to-section attachment brackets.
2. Clearance for starters, VFDs, or other high-voltage devices must be provided per NEC requirements.

## Dimensions and Weights

Figure 25. Service clearances for outdoor units

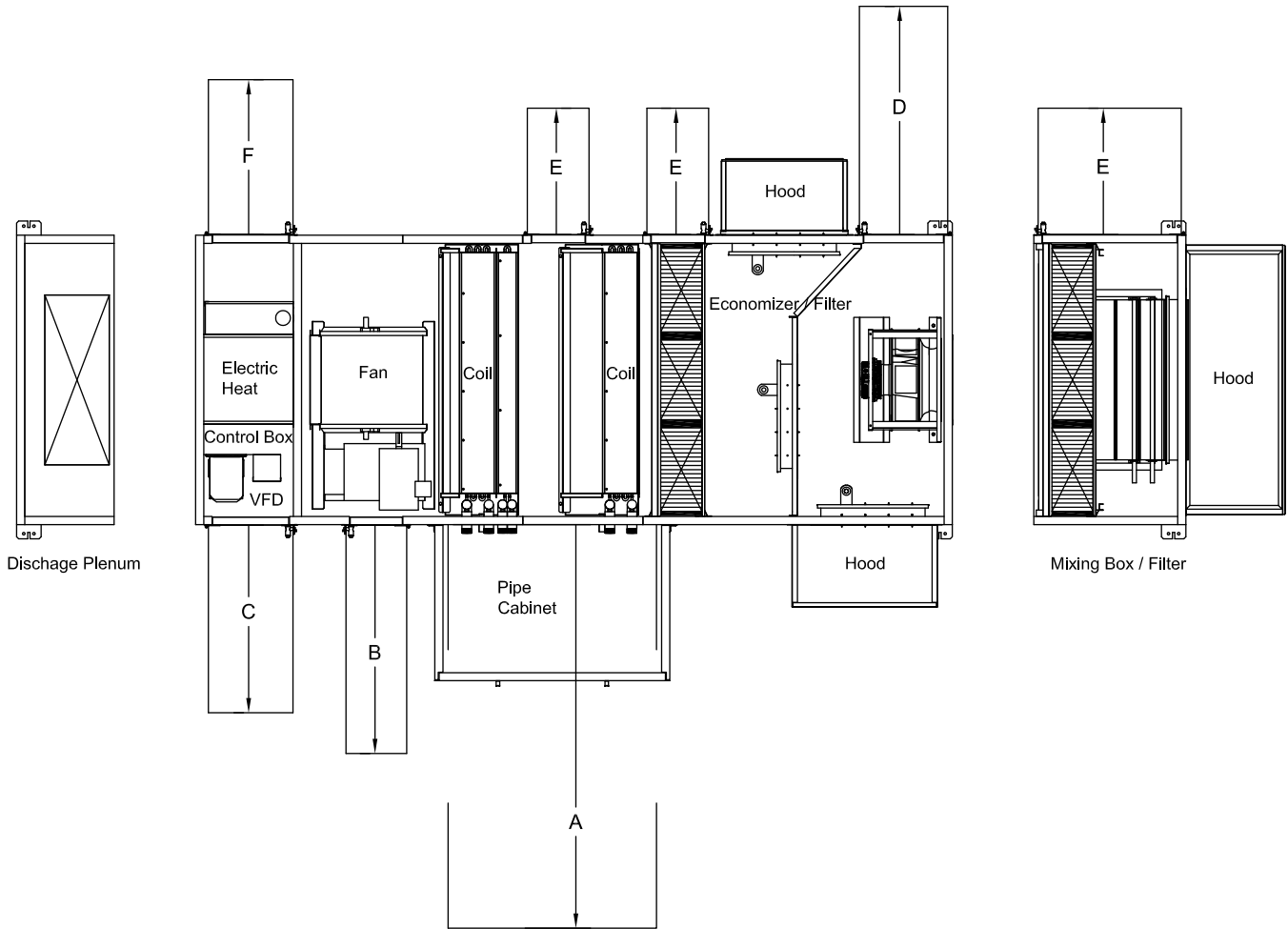
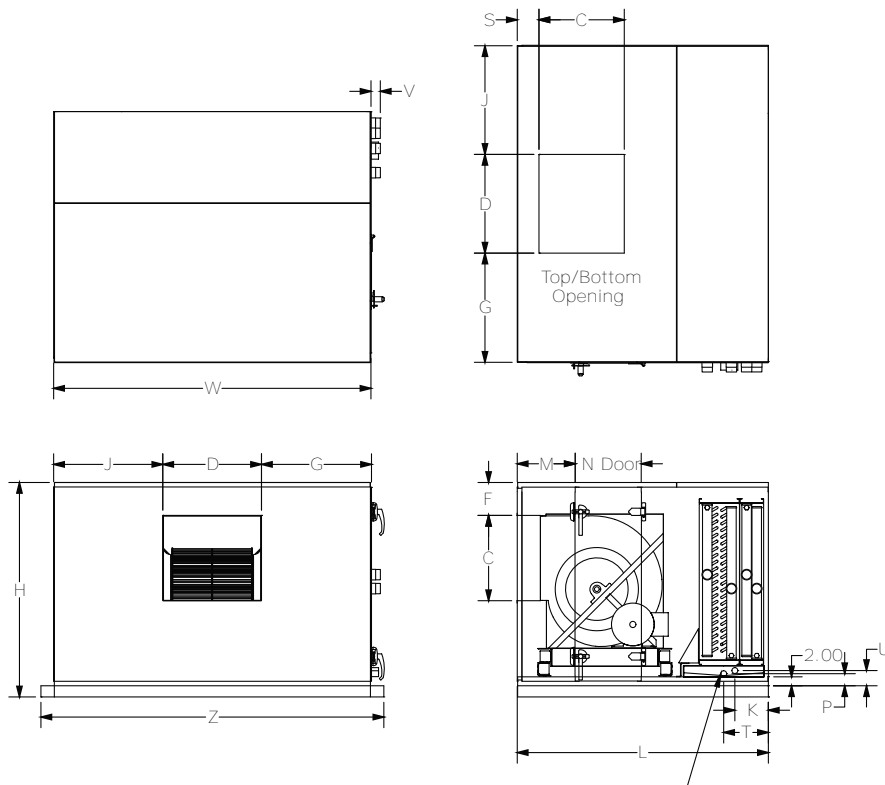


Table 21. Service clearance dimensions (inches) for outdoor units

	Component	Unit Sizes									
		3	6	8	10	12	14	17	21	25	30
A	Coil Pull	49.00	62.00	66.00	78.00	86.00	86.00	94.00	94.00	96.00	109.00
B	Fan Access, horizontal unit (motor side)	48.00	48.00	48.00	51.00	54.00	58.00	61.00	61.00	66.00	66.00
C	Controls Access	56.00	56.00	56.00	56.00	56.00	56.00	56.00	56.00	56.00	56.00
D	Return Fan Door	48.00	48.00	48.00	51.00	54.00	58.00	61.00	61.00	66.00	66.00
E	Filter (mixing box/economizer, opposite coil connection side)	30.00	34.00	32.00	32.00	30.00	35.00	35.00	35.00	41.00	41.00
F	Electric Heat	48.00	48.00	48.00	48.00	48.00	48.00	48.00	48.00	48.00	48.00

**Note:** At a minimum, the above clearance dimensions are recommended for regular service and maintenance. Refer to as-built submittal for locations of items such as filter access doors, coil, piping connections, motor locations, etc. Sufficient clearance must be provided on all sides of unit for removal of access panels, plug panels, or section-to-section attachment brackets. Clearance for starters, VFDs, or other high-voltage devices must be provided per NEC requirements

## Horizontal Units

**Figure 26. Performance UCCA air handler – horizontal arrangement**


R Nominal schedule 40 PVC main and auxiliary drain connection on PVC drain pan. SS drain connection on SS drain pan option.

**Table 22. Indoor unit - horizontal arrangement – dimensions (inches) and weight (pounds)**

Size	Height <sup>(a)</sup>	Width	Length	Total Weight with FC Fan <sup>(b)</sup>	Total Weight with DDP Fan <sup>(b)</sup>
3	27.50	34.00	51.90	236	266
6	32.50	47.00	54.90	328	377
8	38.00	51.00	52.30	373	414
10	38.00	63.00	54.70	447	513
12	41.80	71.00	54.70	505	565
14	45.60	71.00	56.20	541	595
17	48.10	79.00	60.20	633	672
21	54.30	79.00	60.20	684	818
25	60.60	81.00	62.90	800	935
30	60.60	94.00	69.60	959	1068

<sup>(a)</sup> Add 6 inches to height of units with optional baserail.

<sup>(b)</sup> Weights include cabinet, fan and average drive. Optional baserail not included.



## Dimensions and Weights

**Table 23. Outdoor unit - horizontal arrangement - dimensions (inches) and weight (pounds)**

Size	Height	Width	Length	Total Weight with FC Fan <sup>(a)</sup>	Total Weight with DDP Fan <sup>(a)</sup>
3	31.80	41.25	76.00	383	413
6	36.80	54.25	79.00	510	559
8	42.30	58.25	76.40	568	609
10	42.30	70.25	78.70	667	733
12	46.10	78.25	78.70	750	810
14	49.90	78.25	80.20	789	843
17	52.40	86.25	84.30	904	944
21	58.60	86.25	84.30	964	1099
25	64.90	88.25	87.00	1096	1232
30	64.90	101.25	93.60	1291	1399

<sup>(a)</sup> Weights include cabinet, supply fan/coil and average drive.

**Table 24. Horizontal arrangement (FC or DDP w/ EH) - dimensions (inches)**

Size	C	D	F	G	J	K (LH)	K (RH)	Indoor M
3	10.60	9.40	3.60	12.30	12.30	7.50	12.50	13.80
6	13.80	12.50	3.80	17.30	17.30	7.50	12.50	13.80
8	13.80	15.90	11.00	20.30	14.80	n/a	n/a	13.80
10	16.20	18.90	6.10	22.10	22.10	n/a	n/a	16.10
12	19.20	19.20	3.50	25.90	25.90	n/a	n/a	13.80
14	19.20	22.20	7.30	24.40	24.40	n/a	n/a	13.80
17	25.10	20.10	3.20	29.50	29.50	n/a	n/a	13.80
21	25.10	25.10	9.40	27.00	27.00	n/a	n/a	13.80
25	25.50	23.50	16.30	28.80	28.80	n/a	n/a	13.80
30	28.50	26.50	11.90	33.80	33.80	n/a	n/a	20.40
Size	Outdoor M	N	P	S	T	U	R	Outdoor/ Indoor with Optional Baseraill Z
3	32.84	10.20	2.70	6.30	10.00	3.40	0.75	41.25
6	32.84	13.20	2.70	4.90	10.00	3.40	0.75	54.25
8	32.84	10.60	2.80	4.00	10.00	n/a	1.00	58.25
10	35.14	10.60	2.80	3.35	10.00	n/a	1.00	70.25
12	32.84	12.60	2.80	2.81	10.00	n/a	1.00	78.25
14	32.84	13.10	2.80	2.88	10.00	n/a	1.00	78.25
17	32.84	17.10	2.80	2.63	10.00	n/a	1.00	86.25
21	32.84	18.10	2.80	2.63	10.00	n/a	1.00	86.25
25	32.84	19.20	2.80	3.43	10.00	n/a	1.25	88.25
30	39.44	19.20	2.80	4.54	10.00	n/a	1.25	101.25



**Table 25. Horizontal units (DDP w/o EH)**

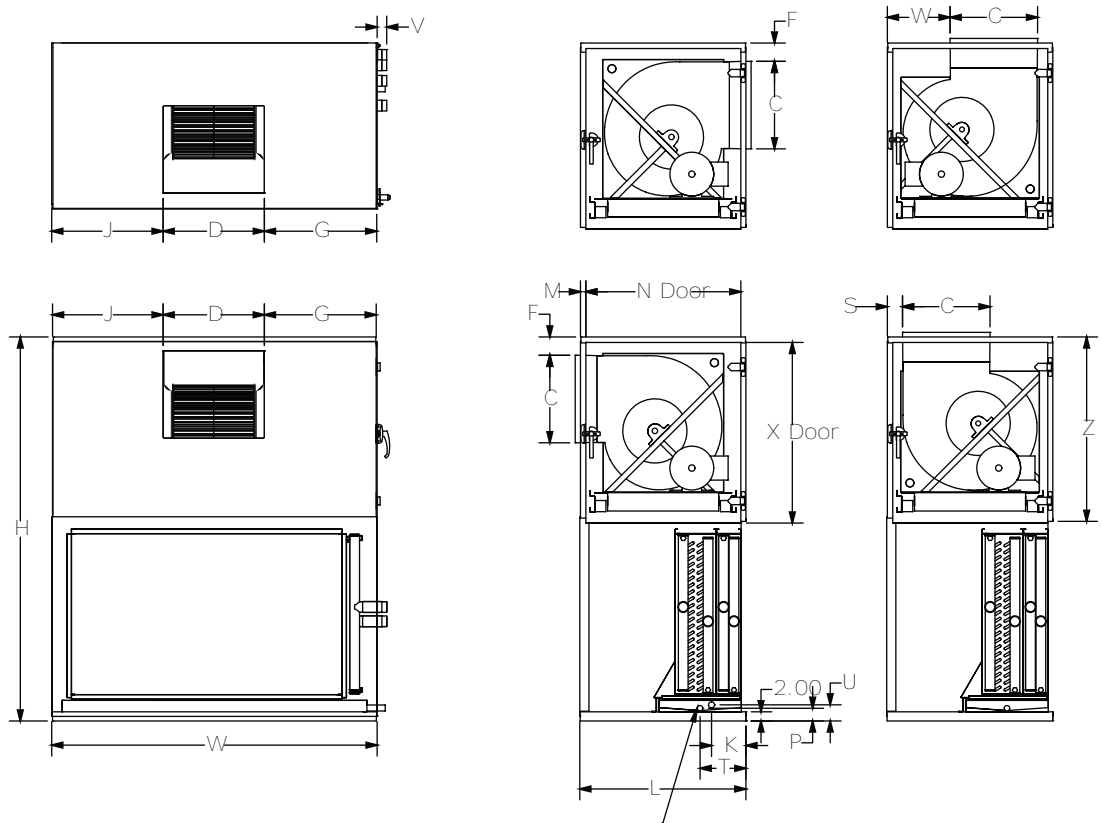
Size	C	D	F	G	J	K (LH)	K (RH)	Indoor M
3	19.60	7.30	3.95	13.35	13.35	7.50	12.50	13.80
6	23.80	11.60	3.85	17.70	17.70	7.50	12.50	13.80
8	22.80	15.50	6.60	17.75	17.75	n/a	n/a	13.80
10	20.20	23.80	8.90	19.60	19.60	n/a	n/a	16.10
12	23.20	24.80	9.28	23.10	23.10	n/a	n/a	13.80
14	23.20	29.00	11.18	21.00	21.00	n/a	n/a	13.80
17	27.10	28.00	9.48	25.50	25.50	n/a	n/a	13.80
21	29.10	34.60	12.61	22.20	22.20	n/a	n/a	13.80
25	29.50	40.70	15.00	20.15	20.15	n/a	n/a	13.80
30	32.5	44.30	12.00	24.85	24.85	n/a	n/a	20.40
Size	Outdoor M	N	P	S	T	U	R	Outdoor/ Indoor with Optional Baseraill Z
3	32.84	10.20	2.70	2.63	10.00	3.40	0.75	41.25
6	32.84	13.20	2.70	2.63	10.00	3.40	0.75	54.25
8	32.84	10.60	2.80	2.63	10.00	n/a	1.00	58.25
10	35.14	10.60	2.80	3.35	10.00	n/a	1.00	70.25
12	32.84	12.60	2.80	2.81	10.00	n/a	1.00	78.25
14	32.84	13.10	2.80	2.88	10.00	n/a	1.00	78.25
17	32.84	17.10	2.80	2.63	10.00	n/a	1.00	86.25
21	32.84	18.10	2.80	2.63	10.00	n/a	1.00	86.25
25	32.84	19.20	2.80	3.43	10.00	n/a	1.25	86.25
30	39.44	19.20	2.80	4.54	10.00	n/a	1.25	101.25

**Table 26. Horizontal arrangement - dimension V (inches)**

Size	Hyd 1 row	Hyd 2 row	Hyd 4 row	Hyd 6 row	Hyd 8 row	DX F LH/RH 4/6 ROW		DX Face split LH/RH 4 row		DX Face split LH/RH 6 row		DX Intertwined LH/RH 4 row	
						Head-er	Dist	Head-er	Dist	Head-er	Dist	Head-er	Dist
3	3.10	2.80	2.90	2.80	2.90	2.70	7.10	n/a	n/a	n/a	n/a	n/a	n/a
6	3.10	2.80	2.90	2.80	2.90	2.70	6.40	n/a	n/a	n/a	n/a	n/a	n/a
8	3.10	2.80	2.90	2.80	2.90	2.70	6.40	2.70	7.10	2.70	6.40	2.90	7.10
10	3.10	2.80	2.90	2.90	2.90	2.90	6.80	2.70	6.40	2.70	6.40	2.90	6.40
12	2.50	2.10	2.10	2.10	2.10	n/a	n/a	1.70	5.40	1.70	5.40	1.90	5.40
14	2.50	2.10	2.10	2.10	2.10	n/a	n/a	1.70	5.40	1.70	5.40	1.90	5.40
17	2.50	2.10	2.40	2.40	2.40	n/a	n/a	1.70	5.40	1.70	5.40	1.90	5.40
21	2.50	2.10	2.40	2.40	2.40	n/a	n/a	1.90	5.80	1.90	5.80	1.90	6.10
25	2.50	2.40	2.40	2.40	2.40	n/a	n/a	1.90	5.80	1.90	6.40	1.90	6.10
30	2.50	2.40	2.40	2.40	2.40	n/a	n/a	1.90	5.80	1.90	6.40	1.90	5.40

## Vertical FC Units

Figure 27. Performance UCCA air handler - vertical arrangement



R Nominal schedule 40 PVC main and auxiliary drain connection on PVC drain pan. SS drain connection on SS drain pan option.

Table 27. Performance UCCA air handler - vertical arrangement - dimensions (inches) and weight (pounds)

Size	Height <sup>(a)</sup>	Width	Length	Total Weight <sup>(b)</sup>
3	51.40	34.00	34.10	233
6	61.30	47.00	37.10	330
8	65.10	51.00	29.40	338
10	69.90	63.00	32.10	411
12	80.10	71.00	36.10	503
14	83.80	71.00	36.10	529
17	92.90	79.00	42.10	651
21	99.20	79.00	42.10	709

<sup>(a)</sup> Add 6 in to height of units with optional baserail.

<sup>(b)</sup> Weights include cabinet, fan and average drive. Optional baserail not included.

Table 28. Performance UCCA air handler - vertical arrangement - dimensions (inches)

Size	C	D	F	G	J	K (LH)	K (RH)	M	N
3	10.60	9.40	3.00	12.30	12.30	7.50	12.50	4.00	28.07
6	13.80	12.50	3.00	17.25	17.25	7.50	12.50	4.00	31.07

**Table 28. Performance UCCA air handler - vertical arrangement - dimensions (inches) (continued)**

Size	C	D	F	G	J	K (LH)	K (RH)	M	N
8	13.80	15.90	3.00	21.32	13.80	n/a	n/a	4.00	23.44
10	16.20	18.90	3.00	22.05	22.05	n/a	n/a	4.00	26.07
12	19.20	19.20	3.00	25.90	25.90	n/a	n/a	4.00	30.07
14	19.20	22.20	3.00	24.40	24.40	n/a	n/a	4.00	30.07
17	25.10	20.10	3.00	29.45	29.45	n/a	n/a	4.00	36.07
21	25.10	25.10	3.00	26.95	26.95	n/a	n/a	4.00	36.07
Size	P	S	T	U	R	W	X	Z 2nd height level	
3	2.72	6.30	10.00	3.37	0.75	17.17	23.59	26.94	
6	2.72	4.90	10.00	3.37	0.75	18.37	28.49	31.81	
8	2.83	4.00	10.00	n/a	1.00	11.64	26.79	30.06	
10	2.83	3.35	10.00	n/a	1.00	12.52	31.59	34.94	
12	2.83	2.81	10.00	n/a	1.00	14.06	38.04	41.31	
14	2.83	2.88	10.00	n/a	1.00	13.99	38.04	41.24	
17	2.83	2.63	10.00	n/a	1.00	14.34	44.59	47.87	
21	2.83	2.63	10.00	n/a	1.00	14.34	44.59	47.87	



## Dimensions and Weights

**Table 29. Performance UCCA air handler — vertical arrangement — dimension V (inches)**

Size	Hydronic 1-row		Hydronic 2-row		Hydronic 4-row		Hydronic 6-row		Hydronic 8-row	
3	3.10		2.80		2.90		2.80		2.90	
6	3.10		2.80		2.90		2.80		2.90	
8	3.10		2.80		2.90		2.80		2.90	
10	3.10		2.80		2.90		2.90		2.90	
12	2.50		2.10		2.10		2.10		2.10	
14	2.50		2.10		2.10		2.10		2.10	
17	2.50		2.10		2.40		2.40		2.40	
21	2.50		2.10		2.40		2.40		2.40	
25	2.50		2.40		2.40		2.40		2.40	
30	2.50		2.40		2.40		2.40		2.40	
Size	DX F LH/RH 4/6-row		DX Face split LH/RH 4-row		DX Face split LH/RH 6-row		DX Intertwined LH/RH 4-row		DX Intertwined LH/RH 6-row	
	Header	Dist	Header	Dist	Header	Dist	Header	Dist	Header	Dist
3	2.70	7.10	n/a	n/a	n/a	n/a	n/a	n/a	n/a	n/a
6	2.70	6.40	n/a	n/a	n/a	n/a	n/a	n/a	n/a	n/a
8	2.70	6.40	2.70	7.10	2.70	6.40	2.90	7.10	2.90	6.40
10	2.90	6.80	2.70	6.40	2.70	6.40	2.90	6.40	2.90	6.40
12	n/a	n/a	1.70	5.40	1.70	5.40	1.90	5.40	1.90	5.40
14	n/a	n/a	1.70	5.40	1.70	5.40	1.90	5.40	1.90	5.80
17	n/a	n/a	1.70	5.40	1.70	5.40	1.90	5.40	1.90	5.80
21	n/a	n/a	1.90	5.80	1.90	5.80	1.90	6.10	1.90	5.40
25	n/a	n/a	1.90	5.80	1.90	6.40	1.90	6.10	1.90	5.40
30	n/a	n/a	1.90	5.80	1.90	6.40	1.90	5.40	1.90	6.40

## Vertical Motorized Impeller Units

Figure 28. Performance UCCA air handler with vertical motorized impeller

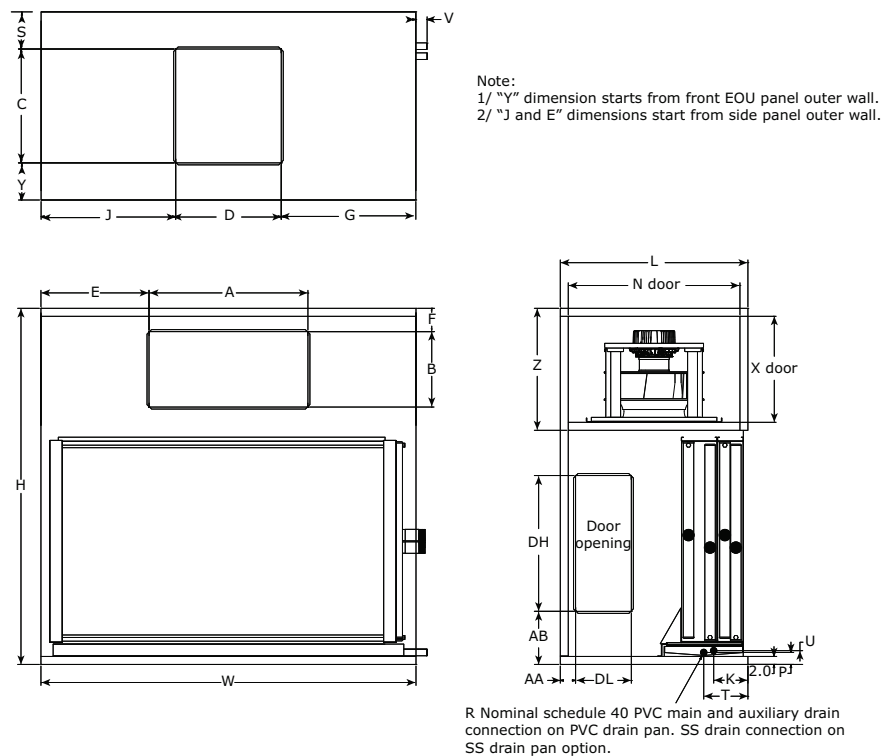


Table 30. Performance UCCA air handler with vertical motorized impeller dimensions (inches)

Unit size	H <sup>(a)</sup>	W	L	Roof discharge opening without electric heat				Roof discharge opening with electric heat			
				C	D	Y & S	J & G	C	D	Y	S
3	46.33	34.00	34.33	13.50	13.50	10.42	10.25	10.60	9.40	2.77	20.97
6	53.82	47.00	37.33	17.00	21.00	10.17	13.00	13.80	12.50	2.76	20.78
8	62.42	51.00	29.63	17.00	29.00	6.32	11.00	13.80	15.90	2.63	13.20
10	63.98	63.00	32.33	19.00	34.00	6.67	14.50	16.20	18.90	2.65	13.48
12	67.73	71.00	36.33	19.00	38.00	8.67	16.50	19.20	19.20	2.65	14.48
14	74.13	71.00	36.33	22.00	40.00	7.17	15.50	19.20	22.20	2.65	14.48
17	72.42	79.00	42.33	23.00	44.00	9.67	17.50	25.10	20.10	2.64	14.59
21	80.23	79.00	42.33	26.00	49.00	8.17	15.00	25.10	25.10	2.64	14.59
25	86.48	81.00	47.08	30.00	51.00	8.54	15.00	25.50	23.50	2.63	18.96
30	89.13	94.00	47.08	30.00	60.00	8.54	17.00	28.50	26.50	2.64	15.95

<sup>(a)</sup> Add 6 inches to height of units with optional baserail.

Table 31. Performance UCCA air handler with vertical motorized impeller weights (pounds)

Unit size	3	6	8	10	12	14	17	21	25	30
Total 4-in. static pressure Option 1	259	n/a	398	n/a	586	643	820	n/a	925	1089
Total 5-in. static pressure Option 2	293	401	436	515	719	752	816	859	n/a	n/a

**Note:** Filter, coil, drain pan and electric heater not included.



## Dimensions and Weights

**Table 32. Performance UCCA air handler with vertical motorized impeller dimensions (inches)**

Unit size	4-in. trap	With electric heat				5-in. trap	With electric heat			
	Fan Qty	4-in trap LH motor (drive) side		4-in trap RH motor (drive) side		Fan Qty	5-in. trap LH motor (drive) side		5-in. trap RH motor (drive) side	
		J	G (motor side)	J	G (motor side)		J	G (motor side)	J	G (motor side)
3	1	8.71	15.89	15.89	8.71	1.00	8.71	15.89	15.89	8.71
6	n/a	n/a	n/a	n/a	n/a	1.00	8.66	25.85	25.85	8.66
8	1	8.27	26.83	26.83	8.27	1.00	8.27	26.83	26.83	8.27
10	n/a	n/a	n/a	n/a	n/a	1.00	8.27	35.83	35.83	8.27
12	1	8.25	43.56	43.56	8.25	2.00	25.90	25.90	25.90	25.90
14	1	8.25	40.56	40.56	8.25	2.00	24.40	24.40	24.40	24.40
17	2	29.45	29.45	29.45	29.45	2.00	29.45	29.45	29.45	29.45
21	n/a	n/a	n/a	n/a	n/a	2.00	26.95	26.95	26.95	26.95
25	2	28.75	28.75	28.75	28.75	n/a	n/a	n/a	n/a	n/a
30	2	33.75	33.75	33.75	33.75	n/a	n/a	n/a	n/a	n/a

**Table 33. Performance UCCA air handler with vertical motorized impeller dimensions (inches)**

Unit size	A	B	E	F	K (LH)	K (RH)	P	T	U
3	11.00	9.00	11.50	5.87	7.50	12.50	2.70	10.00	3.37
6	17.20	10.00	14.90	6.61	7.50	12.50	2.70	10.00	3.37
8	18.30	12.00	16.35	7.16	n/a	n/a	2.80	10.00	n/a
10	21.90	14.00	20.55	6.94	n/a	n/a	2.80	10.00	n/a
12	23.00	16.00	24.00	5.94	n/a	n/a	2.80	10.00	n/a
14	23.70	18.00	23.65	6.27	n/a	n/a	2.80	10.00	n/a
17	29.70	17.00	24.65	4.66	n/a	n/a	2.80	10.00	n/a
21	35.00	18.00	22.00	4.94	n/a	n/a	2.80	10.00	n/a
25	33.30	18.00	23.85	4.94	n/a	n/a	3.00	11.00	n/a
30	39.80	19.00	27.10	5.77	n/a	n/a	3.00	11.00	n/a
Unit size	R	N	X	DH	DL	AA	AB <sup>(a)</sup>	Z 2nd level height	
3	0.75	30.33	16.74	18.00	9.41	3.83	4.77	20.74	
6	0.75	33.33	19.23	18.00	9.41	3.83	7.27	23.23	
8	1.00	25.63	22.32	18.00	7.30	3.83	10.02	26.32	
10	1.00	28.33	23.89	24.00	10.00	3.83	7.02	27.89	
12	1.00	32.33	23.89	24.00	12.00	3.83	8.89	27.89	
14	1.00	32.33	26.53	24.00	12.00	3.83	10.77	30.53	
17	1.00	38.33	22.32	34.00	14.00	3.83	7.03	26.32	
21	1.00	38.33	23.89	34.00	14.00	3.83	10.14	27.89	
25	1.25	43.08	23.89	34.00	14.00	3.83	13.27	27.89	
30	1.25	43.08	26.53	34.00	14.00	3.83	13.27	30.53	

<sup>(a)</sup> Add 6 inches on units with optional baserail.

# Electric Heat

Figure 29. Electric heat

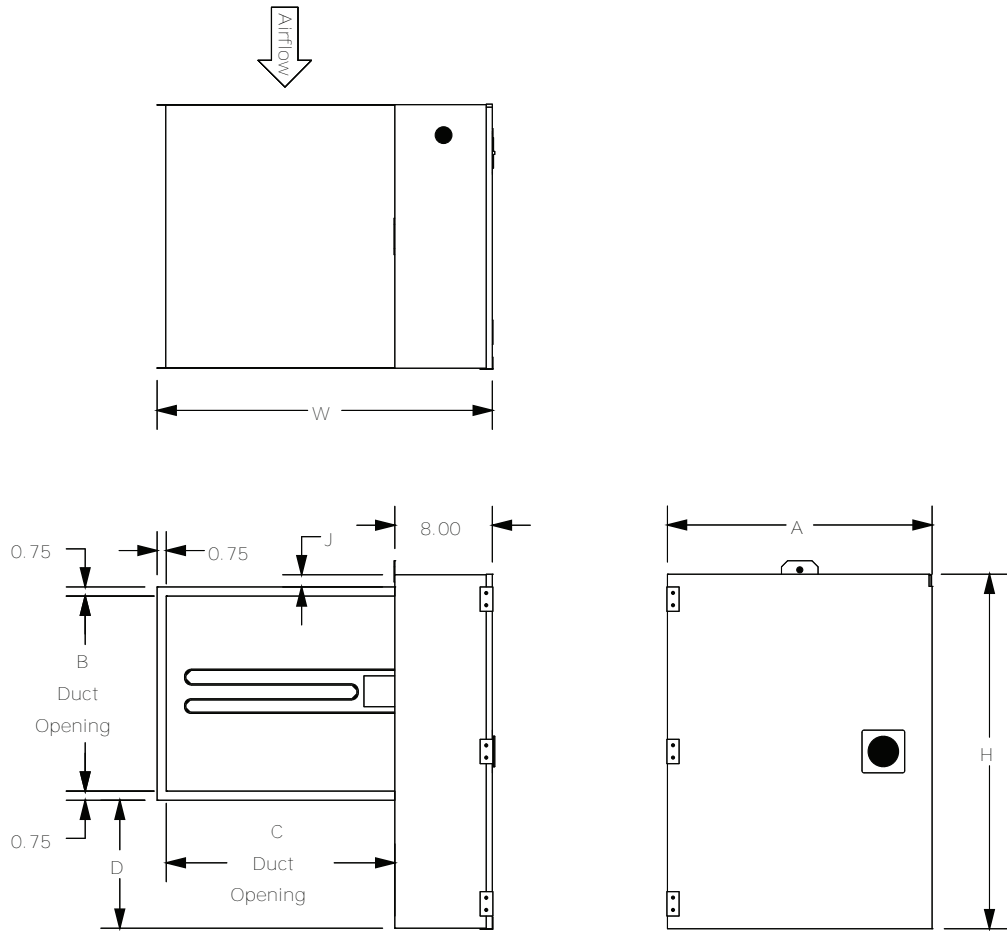


Table 34. Electric heat dimensions (inches) and weight (pounds)

Unit size	H	W	A	B	C	D	J	Weight
3	24.00	18.80	13.60	10.60	10.10	10.40	1.50	34
6	24.00	21.80	17.60	13.80	13.10	8.70	n/a	38
8	24.70	24.50	17.60	13.60	15.80	8.00	1.60	44
10	29.00	27.50	21.60	16.00	18.80	10.50	1.00	62
12	34.00	27.80	21.60	19.00	19.00	13.50	n/a	66
14	34.00	30.80	21.60	19.00	22.00	13.50	n/a	69
17	34.00	28.60	21.60	24.90	19.90	7.60	n/a	73
21	34.00	33.60	21.60	24.90	24.90	7.60	n/a	77
25	34.00	32.00	21.60	25.30	23.30	7.20	n/a	79
30	34.00	35.10	21.60	28.30	26.40	4.20	n/a	82



# Control Box

Figure 30. Control box

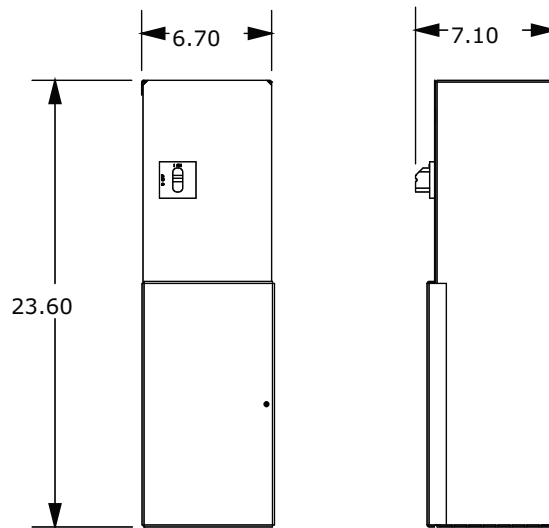
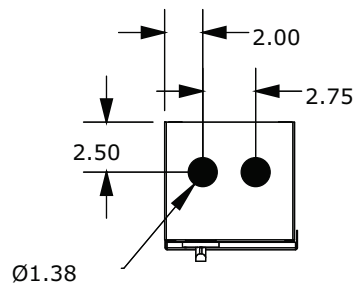
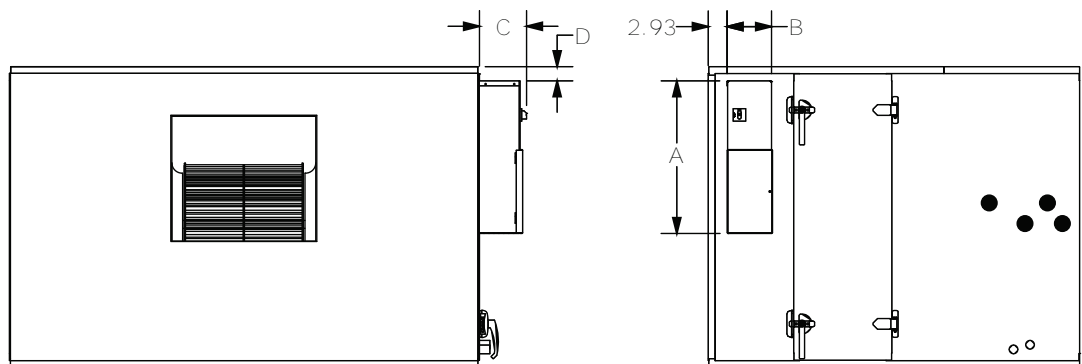
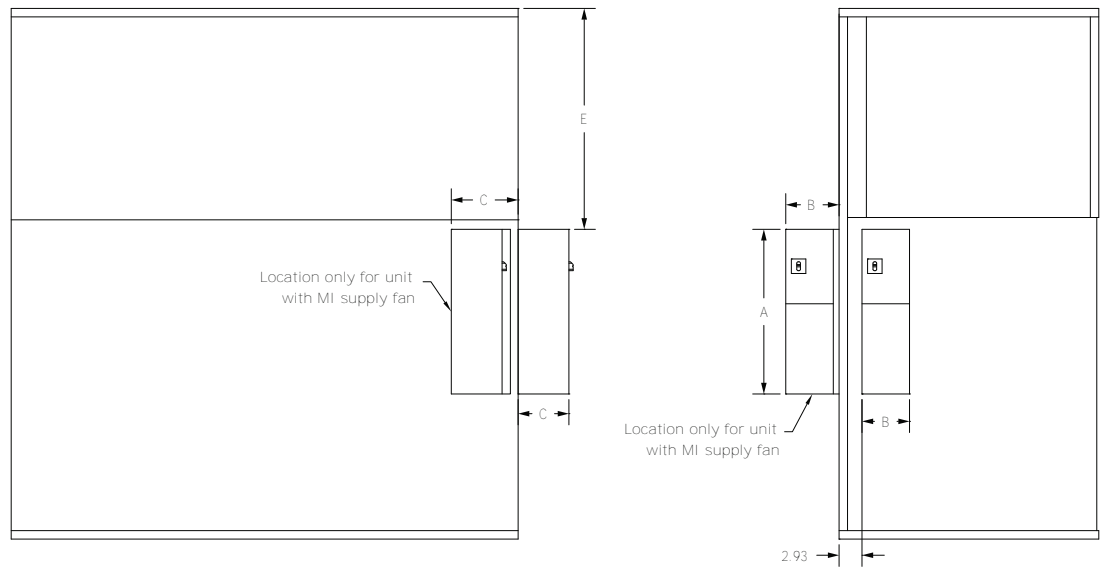


Figure 31. Control box locations - horizontal unit



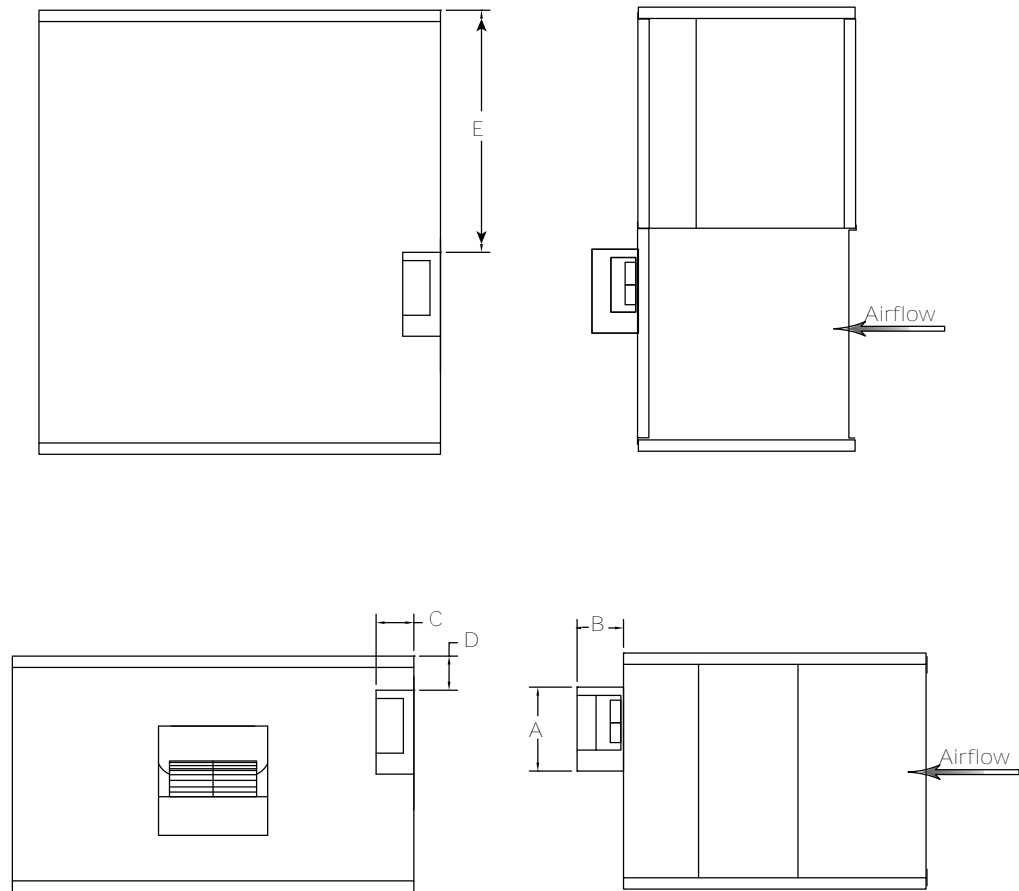
**Figure 32. Control box locations for vertical motorized impeller fans**



**Table 35. Control box location dimensions (inches) and weight (pounds)**

Unit size	A	B	MI FAN B	C	MI FAN C	D	E	MI FAN E	Weight
3	23.60	6.80	7.47	7.10	7.71	1.91	27.11	21.22	15
6	23.60	6.80	7.47	7.10	7.71	1.91	34.21	23.71	15
8	23.60	6.80	7.47	7.10	7.71	1.91	32.46	26.80	15
10	23.60	6.80	7.47	7.10	7.71	1.91	37.34	28.37	15
12	23.60	6.80	7.47	7.10	7.71	1.91	43.71	28.37	15
14	23.60	6.80	7.47	7.10	7.71	1.91	43.71	31.01	15
17	23.60	6.80	7.47	7.10	7.71	1.91	50.34	26.80	15
21	23.60	6.80	7.47	7.10	7.71	1.91	50.34	28.37	15
25	23.60	6.80	7.47	7.10	7.71	1.91	n/a	28.37	15
30	23.60	6.80	7.47	7.10	7.71	1.91	n/a	31.01	15

# VFD

**Figure 33. VFD location**

**Table 36. VFD dimensions (inches)**

Size	A	B	C	D	E
3	23.00	10.00	11.60	2.10	25.94
6	23.00	10.00	11.60	2.10	30.81
8	23.00	10.00	11.60	2.10	29.06
10	23.00	10.00	11.60	2.10	33.94
12	23.00	10.00	11.60	2.10	40.31
14	23.00	10.00	11.60	2.10	40.31
17	23.00	10.00	11.60	2.10	46.94
21	43.00	15.00	11.60	2.10	46.94
25	43.00	15.00	11.60	2.10	n/a
30	43.00	15.00	11.60	2.10	n/a

**Note:** See VFD weights in Table 25, p. 77.

# Coils

## Hydronic Coils

Figure 34. 3/8-inch Hydronic (water) coils

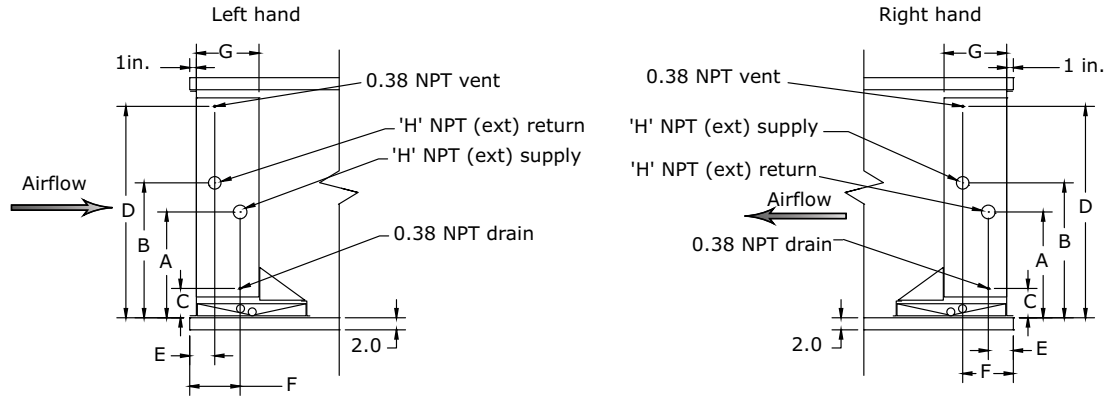


Table 37. 3/8-inch Hydronic (water) coil dimensions

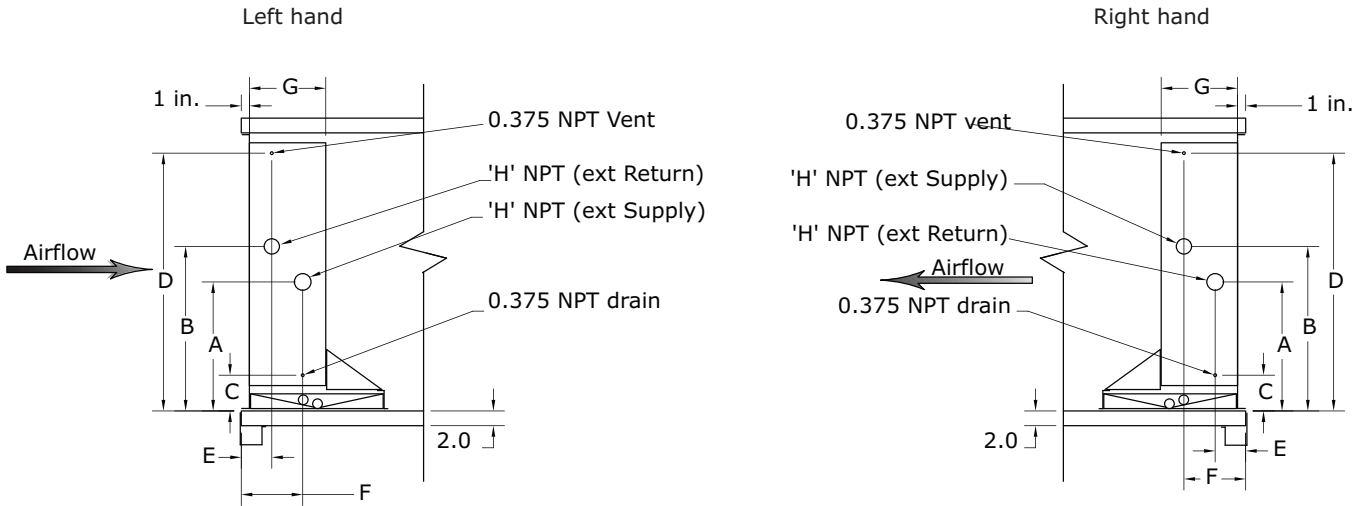
	Size	LH				RH				Re-turn E	Supply F	Width G	NPT Dia H
		Supply A	Re-turn B	Drain C	Vent D	Re-turn A	Supply B	Drain C	VentD				
1 Row	3	10.62	12.50	4.06	19.07	11.12	13.00	4.56	19.57	2.76	4.71	5.35	1.50
	6	13.12	16.00	4.06	25.07	12.62	15.50	3.56	24.57	2.76	4.71	5.35	1.50
	8	16.12	18.00	4.56	29.57	16.62	18.50	5.06	30.07	2.76	4.71	5.35	2.00
	10	16.12	18.00	4.56	29.57	16.62	18.50	5.06	30.07	2.76	4.71	5.35	2.00
	12	17.38	20.75	4.56	33.57	16.88	20.25	4.06	33.07	3.34	5.28	6.50	2.50
	14	19.88	22.25	4.56	37.57	20.38	22.75	5.06	38.07	3.34	5.28	6.50	2.50
	17	19.88	22.25	4.56	37.57	20.38	22.75	5.06	38.07	3.34	5.28	6.50	2.50
	21	23.62	26.50	4.56	45.57	24.12	27.00	5.06	46.07	3.34	5.28	6.50	2.50
	25	27.38	30.75	4.56	53.57	26.88	30.25	4.06	53.07	3.34	5.28	6.50	2.50
30	27.38	30.75	4.56	53.57	26.88	30.25	4.06	53.07	3.34	5.28	6.50	2.50	
2 Row	3	9.95	13.67	3.56	20.06	9.95	13.67	3.56	20.06	2.76	4.71	5.35	1.50
	6	12.45	16.17	3.56	25.06	12.45	16.17	3.56	25.06	2.76	4.71	5.35	1.50
	8	15.45	19.17	4.06	30.56	15.45	19.17	4.06	30.56	2.51	4.96	5.35	2.00
	10	15.45	19.17	4.06	30.56	15.45	19.17	4.06	30.56	2.51	4.96	5.35	2.00
	12	16.95	20.67	4.06	33.56	16.95	20.67	4.06	33.56	3.09	4.96	6.50	2.50
	14	19.45	23.17	4.06	38.56	19.45	23.17	4.06	38.56	3.09	4.96	6.50	2.50
	17	19.45	23.17	4.06	38.56	19.45	23.17	4.06	38.56	3.09	4.96	6.50	2.50
	21	23.45	27.17	4.06	46.56	23.45	27.17	4.06	46.56	3.09	4.96	6.50	2.50
	25	26.95	30.67	4.06	53.56	26.95	30.67	4.06	53.56	2.84	5.78	6.50	2.50
30	26.95	30.67	4.06	53.56	26.95	30.67	4.06	53.56	2.84	5.78	6.50	2.50	

**Table 37. 3/8-inch Hydronic (water) coil dimensions (continued)**

	Size	LH				RH				Re- turn E	Sup- ply F	Width G	NPT Dia H
		Sup- ply A	Re- turn B	Drain C	Vent D	Re- turn A	Sup- ply B	Drain C	VentD				
4 Row	3	9.95	13.67	3.56	20.06	9.95	13.67	3.56	20.06	5.13	7.73	9.00	1.50
	6	12.45	16.17	3.56	25.06	12.45	16.17	3.56	25.06	5.13	7.73	9.00	1.50
	8	14.95	19.67	4.06	30.56	14.95	19.67	4.06	30.56	5.21	7.65	9.00	2.00
	10	14.95	19.67	4.06	30.56	14.95	19.67	4.06	30.56	5.21	7.65	9.00	2.00
	12	16.45	21.17	4.06	33.56	16.45	21.17	4.06	33.56	4.96	7.90	9.00	2.50
	14	18.95	23.67	4.06	38.56	18.95	23.67	4.06	38.56	4.96	7.90	9.00	2.50
	17	18.95	23.67	4.06	38.56	18.95	23.67	4.06	38.56	4.96	7.90	9.00	2.50
	21	22.95	27.67	4.06	46.56	22.95	27.67	4.06	46.56	4.96	7.90	9.00	2.50
	25	26.45	31.17	4.06	53.56	26.45	31.17	4.06	53.56	4.96	7.90	9.00	2.50
	30	26.45	31.17	4.06	53.56	26.45	31.17	4.06	53.56	4.96	7.90	9.00	2.50
6 Row	3	9.95	13.67	3.56	20.06	9.95	13.67	3.56	20.06	3.39	7.73	9.00	1.50
	6	12.45	16.17	3.56	25.06	12.45	16.17	3.56	25.06	3.39	7.73	9.00	1.50
	8	14.95	19.67	4.56	30.06	14.95	19.67	4.56	30.06	3.83	7.29	9.00	2.00
	10	14.95	19.67	4.56	30.06	14.95	19.67	4.56	30.06	3.83	7.29	9.00	2.00
	12	16.95	20.67	4.06	33.56	16.95	20.67	4.06	33.56	3.83	7.29	9.00	2.50
	14	18.95	23.67	4.56	38.06	18.95	23.67	4.56	38.06	3.83	7.29	9.00	2.50
	17	18.95	23.67	4.56	38.06	18.95	23.67	4.56	38.06	3.83	7.29	9.00	2.50
	21	22.95	27.67	4.56	46.06	22.95	27.67	4.56	46.06	3.83	7.29	9.00	2.50
	25	26.95	30.67	4.06	53.56	26.95	30.67	4.06	53.56	3.83	7.29	9.00	2.50
	30	26.95	30.67	4.06	53.56	26.95	30.67	4.06	53.56	3.83	7.29	9.00	2.50
8 Row	3	9.95	13.67	3.56	20.06	9.95	13.67	3.56	20.06	3.61	9.68	11.17	1.50
	6	12.45	16.17	3.56	25.06	12.45	16.17	3.56	25.06	3.61	9.68	11.17	1.50
	8	15.45	19.17	4.06	30.56	15.45	19.17	4.06	30.56	4.04	9.24	11.17	2.00
	10	15.45	19.17	4.06	30.56	15.45	19.17	4.06	30.56	4.04	9.24	11.17	2.00
	12	16.95	20.67	4.06	33.56	16.95	20.67	4.06	33.56	4.04	9.24	11.17	2.50
	14	19.45	23.17	4.06	38.56	19.45	23.17	4.06	38.56	4.04	9.24	11.17	2.50
	17	19.45	23.17	4.06	38.56	19.45	23.17	4.06	38.56	4.04	9.24	11.17	2.50
	21	23.45	27.17	4.06	46.56	23.45	27.17	4.06	46.56	4.04	9.24	11.17	2.50
	25	26.95	30.67	4.06	53.56	26.95	30.67	4.06	53.56	4.04	9.24	11.17	2.50
	30	26.95	30.67	4.06	53.56	26.95	30.67	4.06	53.56	4.04	9.24	11.17	2.50

## Dimensions and Weights

**Figure 35. 1/2-inch hydronic (water) coils**



	Size	Coil Height	Left hand Connections				Right Hand Connections				E	F	G
			A	B	C	D	A	B	C	D			
1-row coils	3	19.63	10.81	13.94	4.25	20.50	10.19	13.31	3.63	19.88	2.69	4.63	5.38
	6	24.63	13.31	16.44	4.25	25.50	12.69	15.81	3.63	24.88	2.69	4.63	5.38
	8,10	29.63	16.31	19.44	4.75	31.00	15.69	18.81	4.13	30.38	2.69	4.63	5.38
	12	32.13	17.56	20.69	4.75	33.50	16.94	20.06	4.13	32.88	2.44	4.88	5.38
	14,17	37.13	20.06	23.19	4.75	38.50	19.44	22.56	4.13	37.88	2.44	4.88	5.38
	21	45.80	23.81	26.94	4.75	46.00	24.44	27.56	5.38	46.63	2.44	4.88	5.38
	25,30	52.13	27.56	30.69	4.75	53.50	26.94	30.06	4.13	53.50	3.00	5.50	6.50
2-row coils	3	19.63	9.88	13.00	3.63	19.25	11.13	14.25	4.88	20.50	2.81	4.56	5.38
	6	24.63	13.00	16.13	4.25	24.88	13.00	16.13	4.25	24.88	2.81	4.56	5.38
	8,10	29.63	16.00	19.13	4.75	30.38	16.00	19.13	4.75	30.38	2.81	4.56	5.38
	12	32.13	17.25	20.38	4.75	32.88	17.25	20.38	4.75	32.88	2.56	4.81	5.38
	14,17	37.13	19.75	22.88	4.75	37.88	19.75	23.00	4.75	37.88	2.56	4.81	5.38
	21	45.80	24.13	27.25	4.75	46.63	24.13	27.25	4.75	46.63	2.56	4.81	5.38
	25,30	52.13	27.25	30.38	4.75	52.88	27.25	30.38	4.75	52.88	2.88	5.63	6.50
4-row coils	3	19.63	9.88	13.00	3.63	19.25	11.13	14.25	4.88	20.50	4.94	8.19	9.00
	6	24.63	13.00	16.13	4.25	24.88	13.00	16.13	4.25	24.88	4.94	8.19	9.00
	8,10	29.63	16.00	19.13	4.75	30.38	16.00	19.13	4.75	30.38	4.94	8.19	9.00
	12	32.13	17.25	20.38	4.75	32.88	17.25	20.38	4.75	32.88	4.94	8.19	9.00
	14,17	37.13	19.75	22.88	4.75	37.88	19.75	22.88	4.75	37.88	4.94	8.19	9.00
	21	45.80	24.13	27.25	4.75	46.63	24.13	27.25	4.75	46.63	4.94	8.19	9.00
	25,30	52.13	27.25	30.38	4.75	52.88	27.25	30.38	4.75	52.88	4.94	8.19	9.00

	Size	Coil Height	Left hand Connections				Right Hand Connections				E	F	G
			A	B	C	D	A	B	C	D			
6-row coils	3	19.63	9.88	13.00	3.63	19.25	11.13	14.25	4.88	20.50	2.81	8.19	9.00
	6	24.63	13.00	16.13	4.25	24.88	13.00	16.13	4.25	24.88	2.81	8.19	9.00
	8,10	29.63	16.00	19.13	4.75	30.38	16.00	19.13	4.75	30.38	2.81	8.19	9.00
	12	32.13	17.25	20.38	4.75	32.88	17.25	20.38	4.75	32.88	2.81	8.19	9.00
	14,17	37.13	19.75	22.88	4.75	37.88	19.75	22.88	4.75	37.88	2.81	8.19	9.00
	21	45.80	24.13	27.25	4.75	46.63	24.13	27.25	4.75	46.63	2.81	8.19	9.00
	25,30	52.13	27.25	30.38	4.75	52.88	27.25	30.38	4.75	52.88	2.81	8.19	9.00
8-row coils	3	19.63	9.88	13.00	3.63	19.25	11.13	14.25	4.88	20.50	2.81	10.38	11.19
	6	24.63	13.00	16.13	4.25	24.88	13.00	16.13	4.25	24.88	2.81	10.38	11.19
	8,10	29.63	16.00	19.13	4.75	30.38	16.00	19.13	4.75	30.38	2.81	10.38	11.19
	12	32.13	17.25	20.38	4.75	32.88	17.25	20.38	4.75	32.88	2.81	10.38	11.19
	14,17	37.13	19.75	22.88	4.75	37.88	19.75	22.88	4.75	37.88	2.81	10.38	11.19
	21	45.80	24.13	27.25	4.75	46.63	24.13	27.25	4.75	46.63	2.81	10.38	11.19
	25,30	52.13	27.25	30.38	4.75	52.88	27.25	30.38	4.75	52.88	2.81	10.38	11.19

## Steam Coils

Figure 36. Steam coils

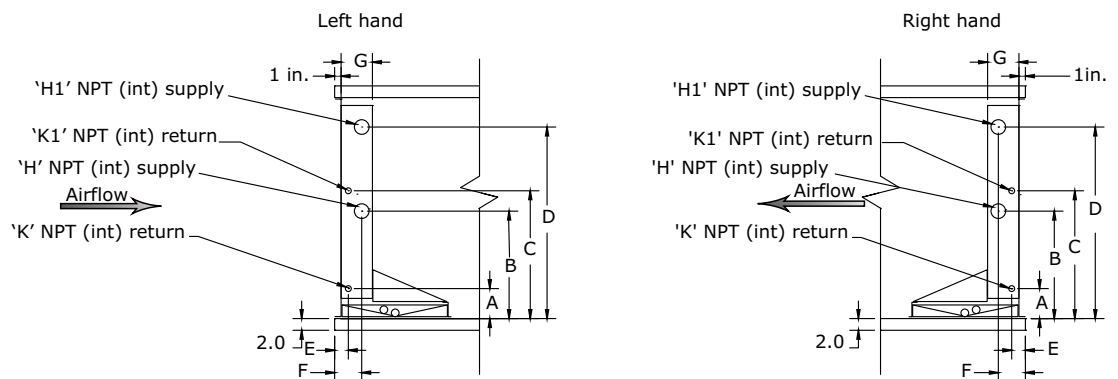


Table 38. Steam coil dimensions

Size	Coil height	A	B (LH)	B (RH)	C	D (LH)	D (RH)	E	F	G	K	K1	H	H1
3	13.50	6.94	13.38	10.38				2.38	3.81	5.25	1.00		1.50	
6	19.50	6.38	15.81	12.81				2.38	3.56	5.25	1.00		2.00	
8	25.50	6.06	18.81	15.81				2.31	3.56	5.25	1.25		2.50	
10	25.50	6.00	18.75	15.75				2.31	3.56	5.25	1.25		2.50	
12	25.50	7.19	19.94	16.94				2.31	3.56	5.25	1.25		2.50	
14	34.50	5.19	20.94	20.94				2.31	3.56	5.25	1.25		3.00	
17	34.50	5.19	20.94	20.94				2.31	3.56	5.25	1.25		3.00	
21	19.50 19.50	7.63	17.06	14.06	27.13	36.56	33.56	2.38	3.56	5.25	1.00	1.00	2.00	2.00

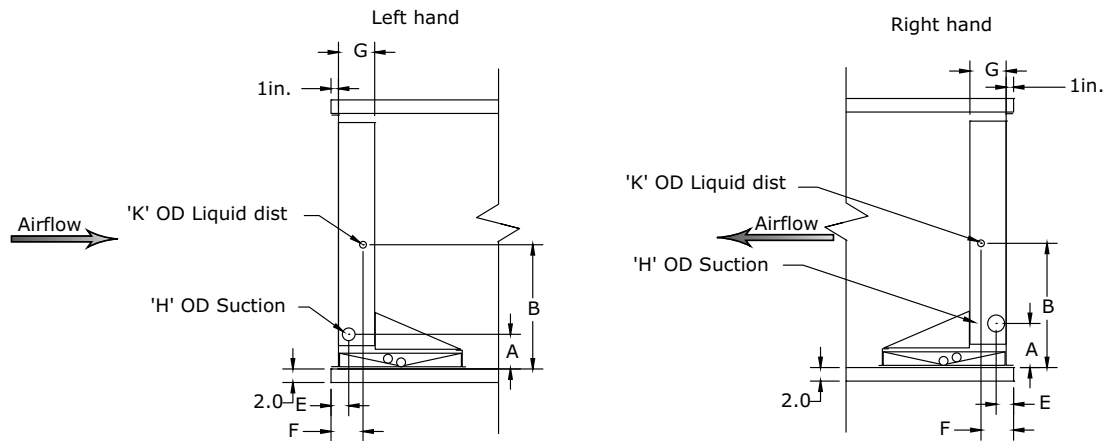
## Dimensions and Weights

**Table 38. Steam coil dimensions (continued)**

Size	Coil height	A	B (LH)	B (RH)	C	D (LH)	D (RH)	E	F	G	K	K1	H	H1
25	13.50 34.50	5.88	21.63	21.63	40.69	47.13	44.13	2.31	3.56	5.25	1.25	1.00	3.00	1.50
30	13.50 34.50	5.81	21.56	21.56	40.63	47.06	44.06	2.31	3.56	5.25	1.25	1.00	3.00	1.50

## DX Coils

**Figure 37. 3/8-inch DX single circuit coils size 3–10**

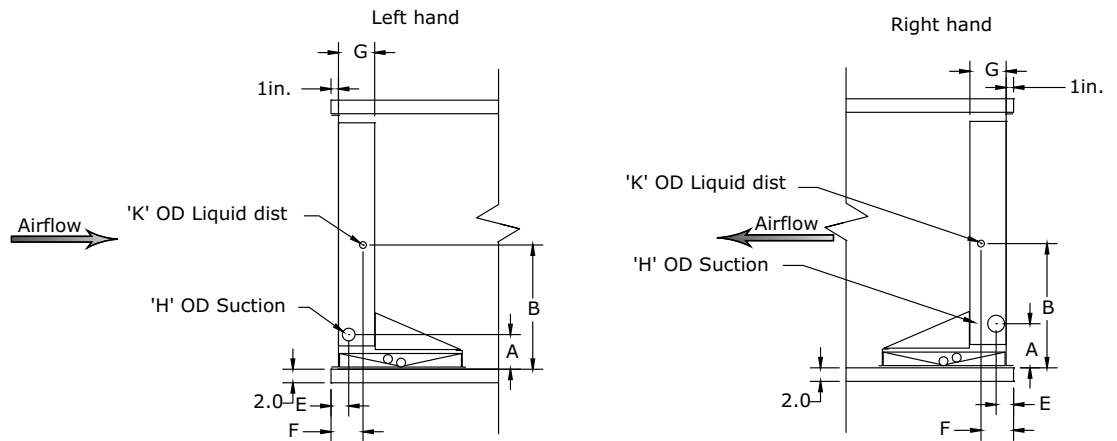


**Table 39. 3/8-inch DX single circuit coil dimensions 3–10**

	Size	Coil Height	A	B	E	F	H	K	G
4 Row	3	19.63	5.18	13.90	5.13	7.73	1.13	0.88	9.00
	6	24.63	4.47	18.51	5.13	7.73	1.38	1.13	9.00
	8	29.63	5.09	25.28	5.13	7.73	1.63	1.13	9.00
	10	29.63	5.09	25.28	5.13	7.73	1.63	1.13	9.00
6 Row	3	19.63	4.34	13.90	3.39	5.99	1.13	0.88	9.00
	6	24.63	4.47	18.51	3.39	5.99	1.38	1.13	9.00
	8	29.63	5.09	25.28	3.39	5.99	1.63	1.13	9.00
	10	29.63	5.09	25.28	3.39	5.99	1.63	1.13	9.00



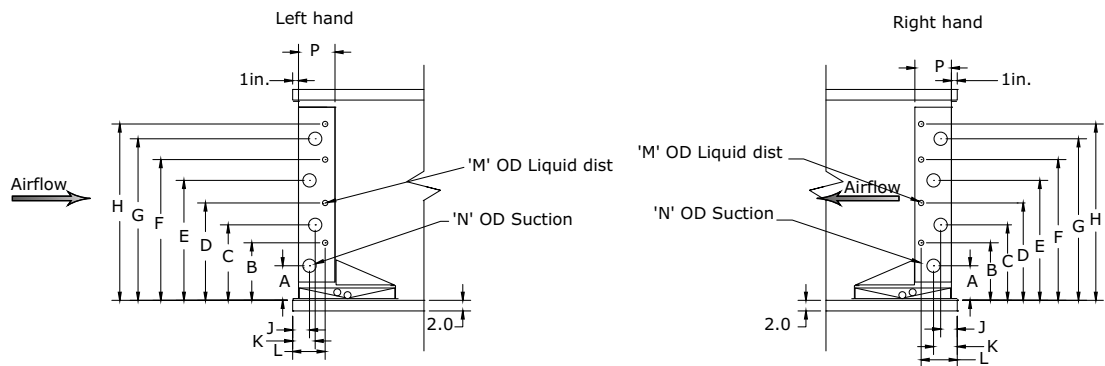
**Figure 38. 1/2-inch DX single circuit coils size 3-10**



**Table 40. 1/2-inch DX single circuit coil dimensions**

Coil Rows	Size	Coil Height	A	B	E	F	H	K	G
4-row coils	3	19.63	4.69	12.44	4.94	8.13	1.38	0.63	9.00
	6	24.63	4.69	19.75	4.94	8.13	1.38	0.88	9.00
	8	29.63	5.19	21.44	4.94	8.13	1.38	0.88	9.00
	10	29.63	5.25	20.94	4.94	8.13	1.63	1.13	9.00
6-row coils	3	19.63	4.69	12.44	2.81	6.00	1.38	0.63	9.00
	6	24.63	4.69	19.75	2.81	6.00	1.38	0.88	9.00
	8	29.63	5.19	21.44	2.81	6.00	1.38	0.88	9.00
	10	29.63	5.25	20.94	2.81	6.00	1.63	1.13	9.00

**Figure 39. 3/8-inch DX horizontal face split coils**





## Dimensions and Weights

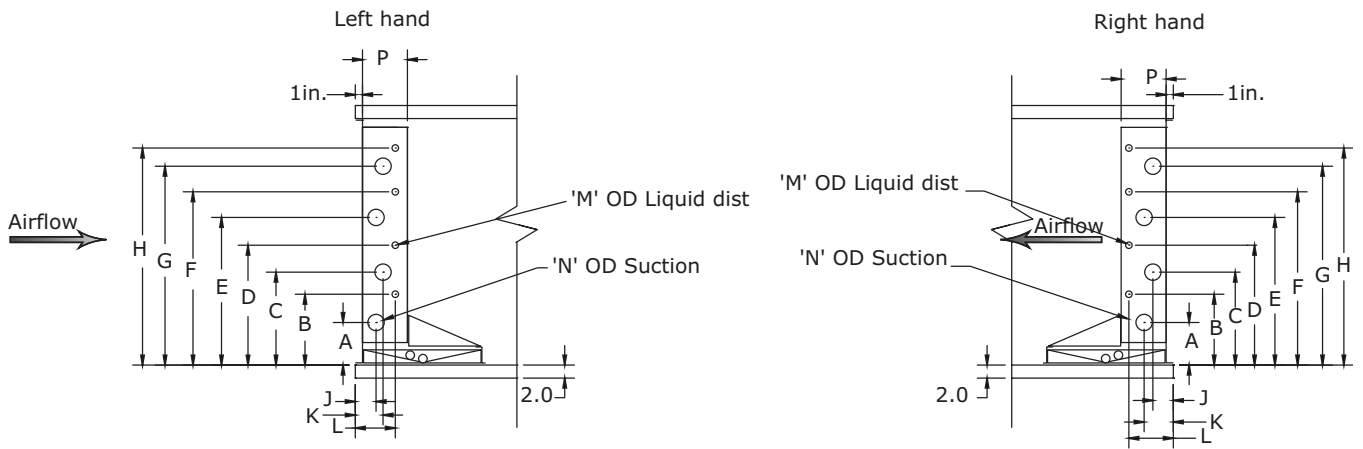
**Table 41. 3/8-inch DX horizontal face split coil dimensions**

Rows	Size	Coil Height	Suction							Distributors				
			J	K	L	A	C	E	G	B	D	F	H	
4	8	29.63	5.13	5.13	7.73	4.84	18.84				14.56	28.40		
	10	29.63	5.13	5.13	7.73	4.84	18.84				14.56	28.40		
	12	32.13	5.13	5.13	7.73	4.97	19.97				16.26	31.26		
	14	37.13	5.13	5.13	7.73	4.97	21.97				20.01	37.01		
	17	37.13	5.13	5.13	7.73	4.47	21.47				19.51	36.51		
	21	45.88	4.35	5.91	7.73	4.34	14.34	25.34	35.34	15.06	25.06	36.06	46.06	
	25	52.13	4.28	5.91	7.73	5.09	17.97	29.97	41.97	16.03	28.26	40.26	52.26	
	30	52.13	4.28	5.91	7.73	5.09	17.97	29.97	41.97	16.03	28.26	40.26	52.26	
6	8	29.63	3.39	3.39	5.99	4.84	18.84				14.56	28.40		
	10	29.63	2.61	4.17	5.99	4.84	18.84				15.20	28.56		
	12	32.13	2.61	4.17	5.99	4.97	19.97				16.20	31.20		
	14	37.13	2.61	4.17	7.73	4.97	13.97	22.97	31.84	14.70	23.70	32.70	38.70	
	17	37.13	2.61	4.17	7.73	4.97	13.97	22.97	31.84	14.70	23.70	32.70	40.70	
	21	45.88	2.61	4.17	5.99	4.97	15.97	26.97	37.97	14.76	25.76	36.76	46.76	
	25	52.13	2.54	4.17	7.73	5.09	17.97	30.09	42.97	15.53	27.76	40.53	52.76	
	30	52.13	2.54	4.17	7.73	5.09	17.97	30.09	42.97	15.53	27.76	40.53	52.76	

**Table 42. 3/8-inch DX horizontal face split coil dimensions**

Rows	Size	N	N1	N2	Connection Diameters			M2	M3	P
					N3	M	M1			
4	8	1.13	1.13			0.88	0.88			9.00
	10	1.13	1.13			0.88	0.88			9.00
	12	1.38	1.38			1.13	1.13			9.00
	14	1.38	1.38			1.13	1.13			9.00
	17	1.38	1.38			1.13	1.13			9.00
	21	1.13	1.13	1.13	1.13	0.88	0.88	0.88	0.88	9.00
	25	1.63	1.38	1.38	1.38	1.13	1.13	1.13	1.13	9.00
	30	1.63	1.38	1.38	1.38	1.38	1.13	1.13	1.13	1.13
6	8	1.13	1.13			0.88	0.88			9.00
	10	1.13	1.13			1.13	0.88			9.00
	12	1.38	1.38			1.13	1.13			9.00
	14	1.38	1.38	1.38	1.13	1.13	1.13	1.13	1.13	9.00
	17	1.38	1.38	1.38	1.13	1.13	1.13	1.13	1.13	9.00
	21	1.38	1.38	1.38	1.38	1.13	1.13	1.13	1.13	9.00
	25	1.63	1.38	1.63	1.38	1.13	1.13	1.13	1.13	9.00
	30	1.63	1.38	1.63	1.38	1.38	1.13	1.13	1.13	1.13

Figure 40. 1/2-inch DX horizontal face split coils



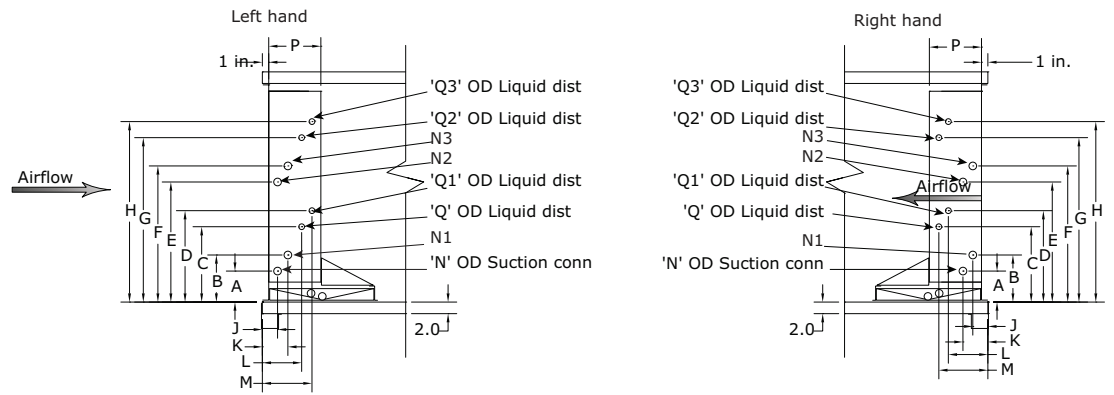


## Dimensions and Weights

**Table 43. 1/2-inch DX horizontal face split coil dimensions**

Coil Rows	Size	Coil Height	Left hand			Right Hand			A	C	E	G	
			J	K	L	J	K	L					
4-row	8	29.63	4.94		6.13	4.94		8.13	5.19		20.19		
	10	29.63	4.94		6.13	4.94		8.13	5.19		17.69		
	12	32.13	4.94		8.13	4.94		8.13	5.13		17.63		
	14	37.13	4.94		8.13	4.94		8.13	5.19		22.69		
	17	37.13	4.94		8.13	4.94		8.13	5.19		22.69		
	21	45.88	4.94		8.13	5.00		8.13	5.25		27.75		
	25	52.13	4.94		6.25	4.94		8.19	5.25		27.75		
	30	52.13	4.13	5.81	7.38	5.81	4.13	9.06	5.25	16.50	29.00	41.50	
6-row	8	29.63	2.81		3.88	2.81		6.00	5.19		20.19		
	10	29.63	2.81		3.88	2.81		6.00	5.19		17.69		
	12	32.13	2.81		6.00	2.81		6.00	5.13		17.63		
	14	37.13	2.81		6.00	2.81		6.00	5.19		22.69		
	17	37.13	2.81		6.00	2.81		6.00	5.19		22.69		
	21	45.88	2.81		6.00	2.81		6.00	5.25		27.75		
	25	52.13	2.81		4.13	2.81		6.00	5.25		27.75		
	30	52.13	1.94	3.63	7.38	3.63	1.94	9.00	5.25	16.50	29.00	41.50	
Coil Rows	Size	Coil Height	Left hand			Right Hand			H	N	M	P	
			B	D	F	H	B	D					F
4-row	8	29.63	10.75		25.44		10.75		25.44		1.38	0.63	9.00
	10	29.63	11.44		25.06		11.44		25.06		1.38	0.88	9.00
	12	32.13	12.63		28.88		12.63		28.88		1.38	0.88	9.00
	14	37.13	15.63		34.13		15.63		34.13		1.38	0.88	9.00
	17	37.13	15.63		34.13		15.63		34.13		1.38	0.88	9.00
	21	45.88	20.88		43.31		20.81		43.31		1.63	1.13	9.00
	25	52.13	18.75		45.00		19.13		45.38		1.63	0.88	9.00
	30	52.13	12.81	25.31	37.81	50.31	13.19	25.69	38.19	50.69	1.63	0.88	9.00
6-row	8	29.63	10.75		25.44		10.88		25.56		1.38	0.88	9.00
	10	29.63	11.44		25.06		11.44		25.06		1.38	0.88	9.00
	12	32.13	12.63		28.88		12.63		28.88		1.38	0.88	9.00
	14	37.13	15.38		33.88		15.38		33.88		1.38	0.88	9.00
	17	37.13	15.38		33.88		15.38		33.88		1.38	0.88	9.00
	21	45.88	20.88		43.38		20.88		43.38		1.63	1.13	9.00
	25	52.13	19.13		45.38		19.13		45.38		1.63	1.38	9.00
	30	52.13	13.19	25.69	38.19	50.69	13.19	25.69	38.19	50.69	1.63	1.38	9.00

Figure 41. 3/8-inch DX intertwined coils size 8–30



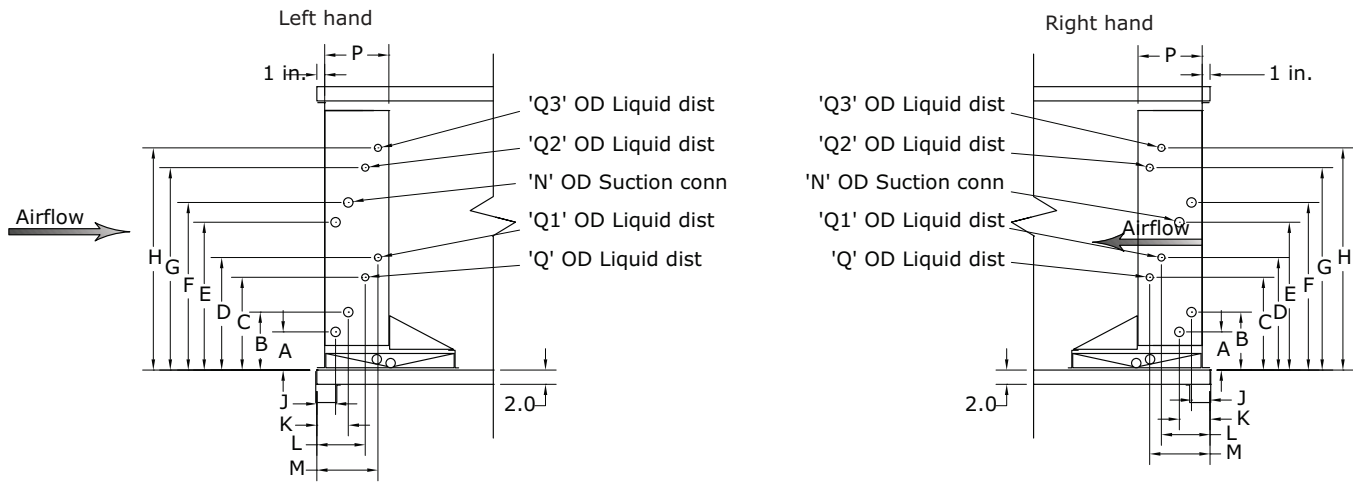


## Dimensions and Weights

**Table 44. 3/8-inch DX intertwined coils size 8–30 dimensions for both left hand and right hand**

Rows	Size	Coil Height	J	K	L	M	A	B	C	D	E	F
4	8	29.63	4.35	5.91	5.73	7.73	4.84	6.84	23.81	25.65		
	10	29.63	4.35	5.91	5.73	7.73	4.84	6.84	23.81	25.65		
	12	32.13	4.35	5.91	5.73	7.73	4.97	5.97	25.51	26.51		
	14	37.13	4.35	5.91	5.73	7.73	5.97	4.97	25.51	26.51		
	17	37.13	4.35	5.91	5.73	7.73	5.47	4.47	25.01	26.01		
	21	45.88	4.35	5.91	5.73	7.73	4.34	5.34	18.81	19.81	25.34	26.34
	25	52.13	4.35	5.91	6.50	8.50	5.09	5.97	25.51	25.28	30.97	29.97
	30	52.13	4.35	5.91	6.50	8.50	5.09	5.97	25.51	25.28	30.97	29.97
Rows	Size	Coil Height	G	H	N	N1	N2	N3	Q	Q1	Q2	Q3
4	8	29.63			1.13	1.13			0.88	0.88		
	10	29.63			1.38	1.38			0.88	0.88		
	12	32.13			1.38	1.38			1.13	1.13		
	14	37.13			1.38	1.38			1.13	1.13		
	17	37.13			1.38	1.38			1.13	1.13		
	21	45.88	39.81	40.81	1.13	1.13	1.13	1.13	0.88	0.88	0.88	0.88
	25	52.13	50.51	49.51	1.63	1.38	1.38	1.38	1.13	1.13	1.13	1.13
	30	52.13	50.51	49.51	1.63	1.38	1.38	1.38	1.13	1.13	1.13	1.13
6	8	29.63			1.13	1.13			0.88	0.88		
	10	29.63			1.13	1.13			1.13	0.88		
	12	32.13			1.38	1.38			1.13	1.13		
	14	37.13	36.45	37.45	1.38	1.38	1.13	1.38	1.13	1.13	1.13	1.13
	17	37.13	36.45	37.45	1.38	1.38	1.13	1.38	1.13	1.13	1.13	1.13
	21	45.88	40.51	41.51	1.38	1.38	1.38	1.38	1.13	1.13	1.13	1.13
	25	52.13	49.78	50.01	1.63	1.38	1.38	1.63	1.13	1.13	1.13	1.13
	30	52.13	49.78	50.01	1.63	1.38	1.38	1.63	1.13	1.13	1.13	1.13
6	8	29.63	2.61	4.17	3.99	5.99	4.84	6.84	23.81	25.65		
	10	29.63	2.61	4.17	3.99	5.99	4.84	6.84	24.45	25.81		
	12	32.13	2.61	4.17	3.99	5.99	4.97	6.97	25.45	26.45		
	14	37.13	2.61	4.17	6.73	8.73	5.97	4.97	18.45	19.45	23.84	22.97
	17	37.13	2.61	4.17	6.73	8.73	5.97	4.97	18.45	19.45	23.84	22.97
	21	45.88	2.61	4.17	6.73	8.73	4.97	5.97	18.51	19.51	26.97	27.97
	25	52.13	2.61	4.17	6.73	8.73	5.09	5.97	24.78	25.01	30.97	30.09
	30	52.13	2.61	4.17	6.73	8.73	5.09	5.97	24.78	25.01	30.97	30.09

Figure 42. 1/2-inch DX intertwined coils size 8-30





## Dimensions and Weights

**Table 45. 1/2-inch DX intertwined coil dimensions sizes (left hand) 8–30**

Coil Rows	Size	Coil Height	J	K	L	M	Left Hand							
							A	B	C	D	E	F	G	H
4-row	8	29.63	4.19	5.75	4.31	6.31	5.19	8.94	16.88	21.00				
	10	29.63	4.19	5.75	4.31	6.31	5.19	7.69	25.38	22.88				
	12	32.13	4.19	5.75	4.31	6.31	7.63	5.13	20.31	25.38				
	14,17	37.13	4.19	5.75	4.31	6.31	5.19	7.69	25.50	22.88				
	21	45.88	4.19	5.75	4.31	6.31	5.19	7.69	19.88	17.63	27.69	30.19	37.63	40.13
	25	52.13	4.19	5.75	4.31	6.31	5.19	7.69	17.75	20.25	30.19	27.69	44.00	46.50
	30	52.13	4.13	5.81	5.19	7.19	6.50	5.25	21.00	22.25	29.00	30.25	46.00	47.25
6-row	8	29.63	2.00	3.56	2.13	4.13	5.19	8.94	21.00	16.88				
	10	29.63	2.00	3.56	2.13	4.13	5.19	7.69	22.88	25.38				
	12	32.13	2.00	3.56	2.13	4.13	7.63	5.13	25.38	20.31				
	14,17	37.13	2.00	3.56	2.13	4.13	5.19	7.69	25.50	22.88				
	21	45.88	2.00	3.56	2.13	4.13	5.19	7.69	19.88	17.63	27.63	30.19	37.63	40.13
	25	52.13	2.00	3.56	2.13	4.13	5.13	7.63	17.75	20.25	30.19	27.63	44.00	46.50
	30	52.13	1.94	3.63	5.19	7.19	6.50	5.25	21.00	22.25	29.00	30.25	46.00	47.25



**Table 46. 1/2-inch DX intertwined coil dimensions sizes (right hand) 8-30**

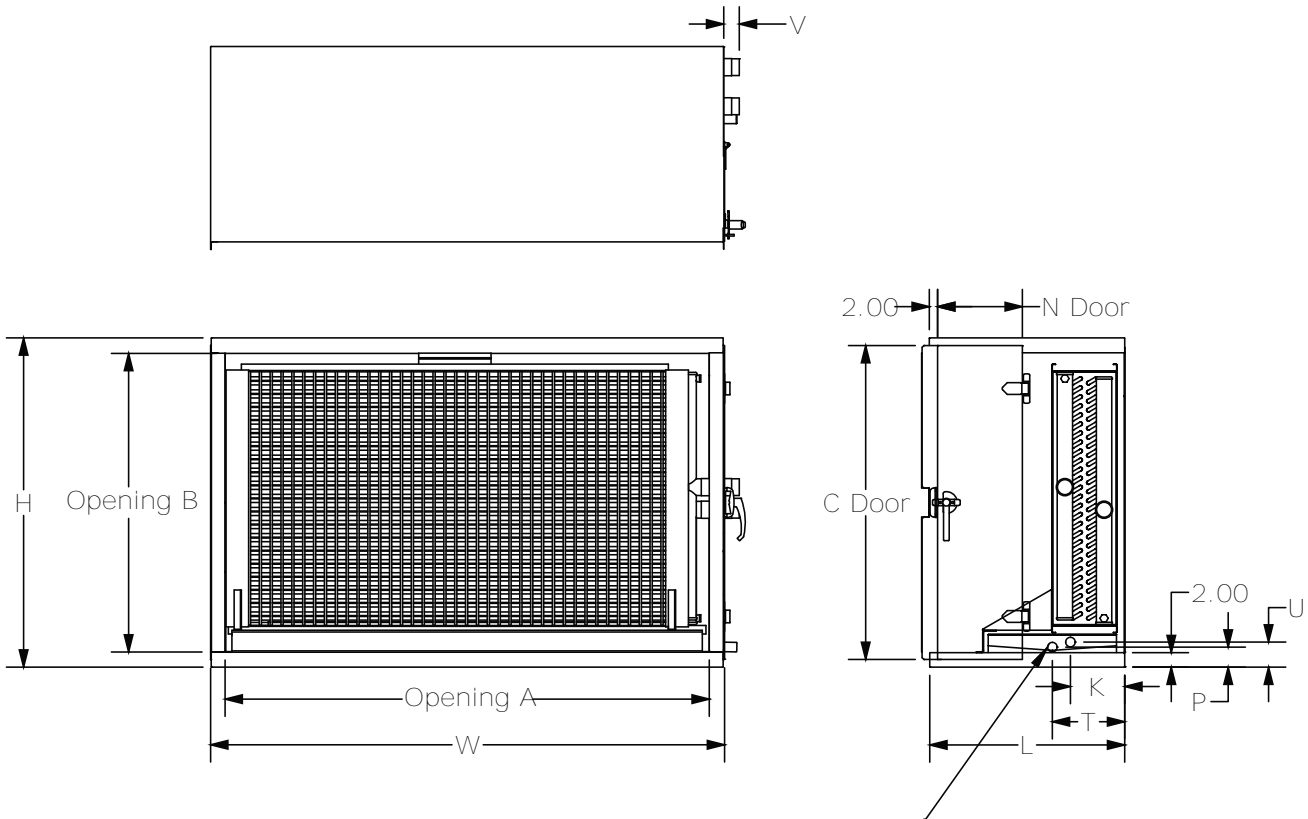
Coil Rows	Size	Coil Height	Right Hand								
			A	B	C	D	E	F	G	H	P
4- row	8	29.63	5.19	8.94	21.00	16.88					9.00
	10	29.63	5.19	7.69	22.88	25.38					9.00
	12	32.13	7.69	5.19	25.38	20.31					9.00
	14,17	37.13	5.19	7.69	25.50	22.88					9.00
	21	45.88	5.19	7.69	19.88	17.63	27.69	30.19	37.63	40.13	9.00
	25	52.13	5.19	7.69	17.75	20.25	30.19	27.69	44.00	46.50	9.00
	30	52.13	6.50	5.25	21.00	22.25	29.00	30.25	46.00	47.25	9.00
6- row	8	29.63	5.19	8.94	21.00	16.88					9.00
	10	29.63	5.19	7.69	22.88	25.38					9.00
	12	32.13	7.69	5.19	25.38	20.31					9.00
	14,17	37.13	5.19	7.69	25.50	22.88					9.00
	21	45.88	5.19	7.69	19.88	17.63	27.63	30.13	37.63	40.13	9.00
	25	52.13	5.19	7.69	17.75	20.25	30.19	27.69	44.00	46.50	9.00
	30	52.13	6.44	5.19	21.00	22.25	29.00	30.25	46.00	47.25	9.00
Coil Rows	Size	Coil Height	N	Q	Q1	Q2	Q3				
4- row	8	29.63	1.38	0.63	0.63						
	10	29.63	1.38	0.88	0.88						
	12	32.13	1.38	0.88	0.88						
	14,17	37.13	1.38	0.88	0.88						
	21	45.88	1.38	0.88	0.63	0.63	0.63				
	25	52.13	1.38	0.63	0.88	0.88	0.88	0.88			
	30	52.13	1.63	0.88	0.88	0.88	0.88	0.88			
6- row	8	29.63	1.38	0.88	0.88						
	10	29.63	1.38	0.88	0.88						
	12	32.13	1.38	0.88	0.88						
	14,17	37.13	1.38	1.13	0.88						
	21	45.88	1.38	0.88	0.88	0.88	0.88	0.88			
	25	52.13	1.38	0.88	0.88	0.88	0.88	0.88			
	30	52.13	1.63	1.38	1.38	1.38	1.38	1.38			



Dimensions and Weights

Access Section with Optional Coil (Indoor Units)

Figure 43. Access section with optional coil



Only R stainless drain connection on stainless drain pan option

Table 47. Access section with optional coil dimensions (inches)

Size	A	B	H <sup>(a)</sup>	W	L	K (LH)	K (RH)	C	N	P	T	U	R	Weight <sup>(b)</sup> (lbs)
3	30.00	23.50	27.50	34.00	27.00	7.5	12.5	23.50	10.00	2.70	10.00	3.40	0.75	121
6	43.00	28.50	32.50	47.00	27.00	7.5	12.5	28.50	10.00	2.70	10.00	3.40	0.75	159
8	47.00	34.00	38.00	51.00	27.00	n/a	n/a	34.00	10.00	2.80	10.00	n/a	1.00	180
10	59.00	34.00	38.00	63.00	27.00	n/a	n/a	34.00	10.00	2.80	10.00	n/a	1.00	208
12	67.00	37.75	41.80	71.00	27.00	n/a	n/a	37.80	10.00	2.80	10.00	n/a	1.00	236
14	67.00	41.50	45.50	71.00	27.00	n/a	n/a	41.50	10.00	2.80	10.00	n/a	1.00	242
17	75.00	44.00	48.00	79.00	27.00	n/a	n/a	44.00	10.00	2.80	10.00	n/a	1.00	267
21	75.00	50.25	54.30	79.00	27.00	n/a	n/a	50.30	10.00	2.80	10.00	n/a	1.00	287
25	77.00	56.50	60.50	81.00	27.00	n/a	n/a	56.50	10.00	2.80	10.00	n/a	1.25	339
30	90.00	56.50	60.50	94.00	27.00	n/a	n/a	56.50	10.00	2.80	10.00	n/a	1.25	375

<sup>(a)</sup> Add 6 inches for units with optional baserail.

<sup>(b)</sup> Weight does not include coil or optional baserail.

## Mixing Box/Filter Section

Figure 44. Unit filter rack

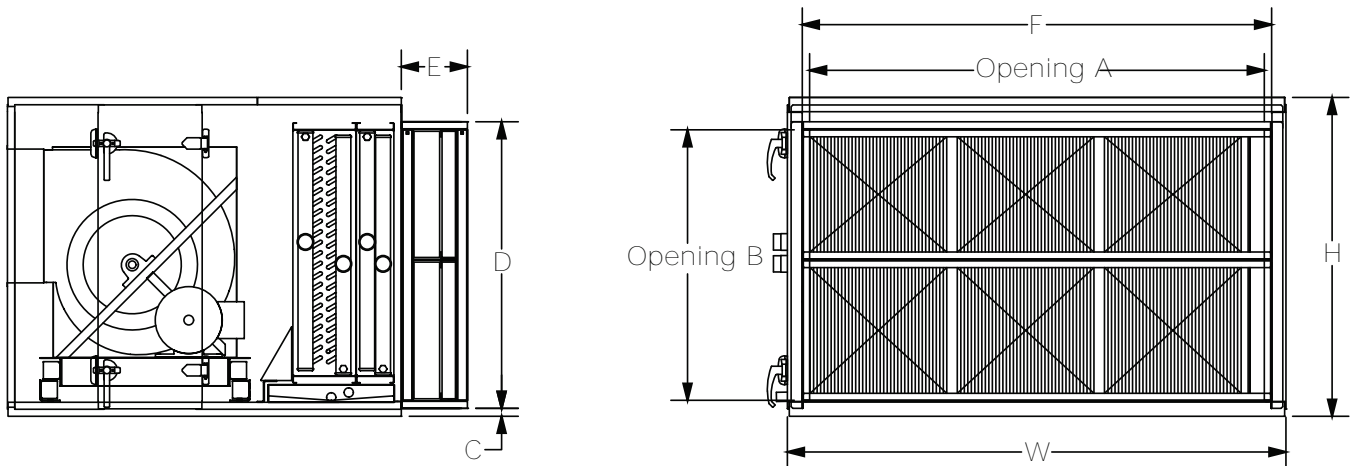
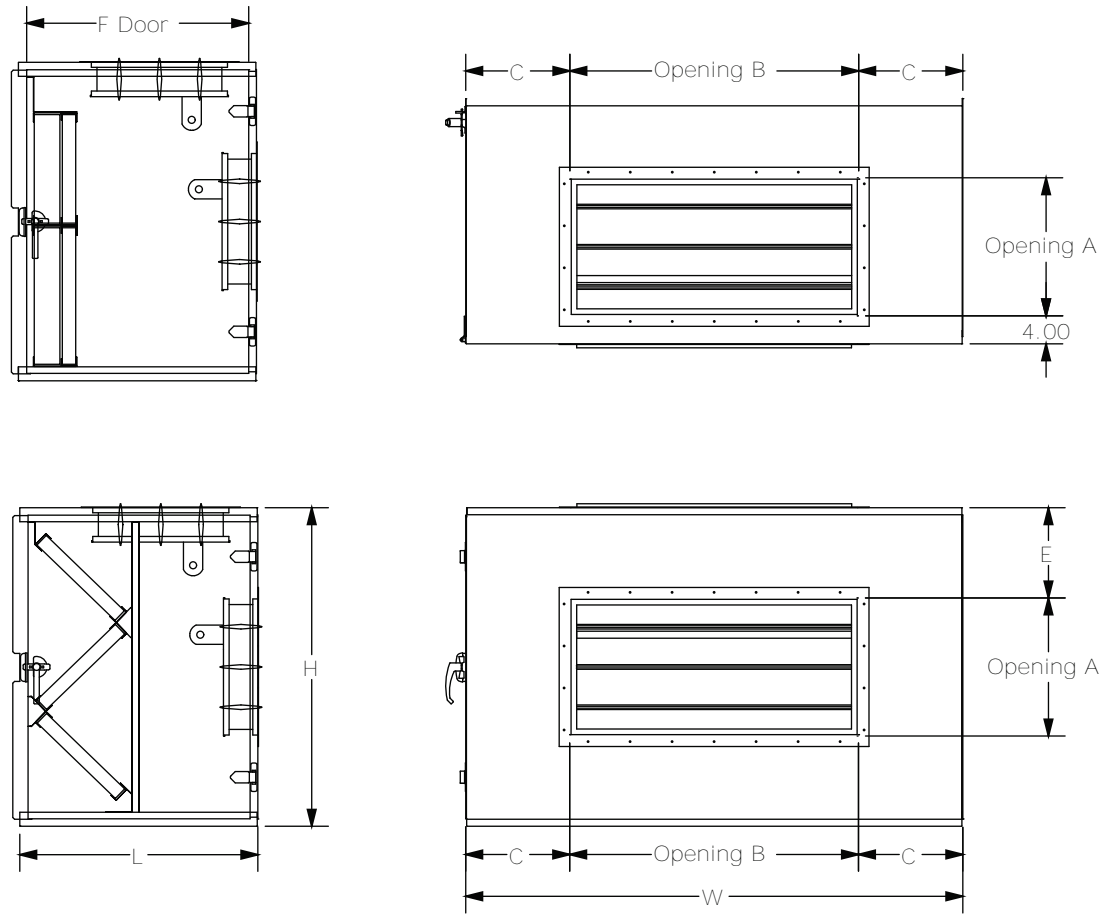


Table 48. Unit filter dimensions (inches) and weight (pounds)

Size	E - 2-in. flat	E - 2-in./4-in. Combination	B	A	D	F	Weight <sup>(a)</sup>
3	4.00	9.50	20.35	28.00	22.35	30.00	26
6	4.00	9.50	25.35	41.00	27.35	43.00	35
8	4.00	9.50	32.64	45.00	34.64	47.00	48
10	4.00	9.50	32.64	57.00	34.64	59.00	61
12	4.00	9.50	36.64	65.00	38.64	67.00	64
14	4.00	9.50	36.64	65.00	38.64	67.00	68
17	4.00	9.50	40.64	73.00	42.64	75.00	74
21	4.00	9.50	45.64	73.00	47.64	75.00	78
25	4.00	9.50	50.64	75.00	52.64	77.00	68
30	4.00	9.50	50.64	88.00	52.64	90.00	78

<sup>(a)</sup> Weight includes heaviest filter.

**Figure 45. Standard offering for indoor mixing box/filter section**



**Table 49. Standard offering for indoor mixing box section with filter weight (lbs) and dimensions (inches)**

Size	H <sup>(a)</sup>	W	L	A	B	C	E	F	Weight <sup>(b)</sup>
3	27.50	34.00	29.00	13.97	13.25	10.38	6.77	25.00	157
6	32.50	47.00	33.00	13.97	25.25	10.88	9.27	29.00	227
8	38.00	51.00	31.00	13.97	32.00	9.50	12.02	27.00	256
10	38.00	63.00	31.00	13.97	42.75	10.13	12.02	27.00	302
12	41.80	71.00	29.00	13.97	52.50	9.25	13.89	25.00	324
14	45.50	71.00	34.00	19.72	41.25	14.88	12.89	30.00	368
17	48.00	79.00	34.00	19.72	51.00	14.00	14.14	30.00	406
21	54.30	79.00	34.00	19.72	60.00	9.50	17.27	30.00	432
25	60.50	81.00	40.00	25.47	58.50	11.25	17.52	36.00	506
30	60.50	94.00	40.00	25.47	68.00	13.00	17.52	36.00	563

<sup>(a)</sup> Add 6 inches for units with optional baserail.

<sup>(b)</sup> Weight includes heaviest filter. Optional baserail not included.

Figure 46. Standard offering for outdoor mixing box/filter section

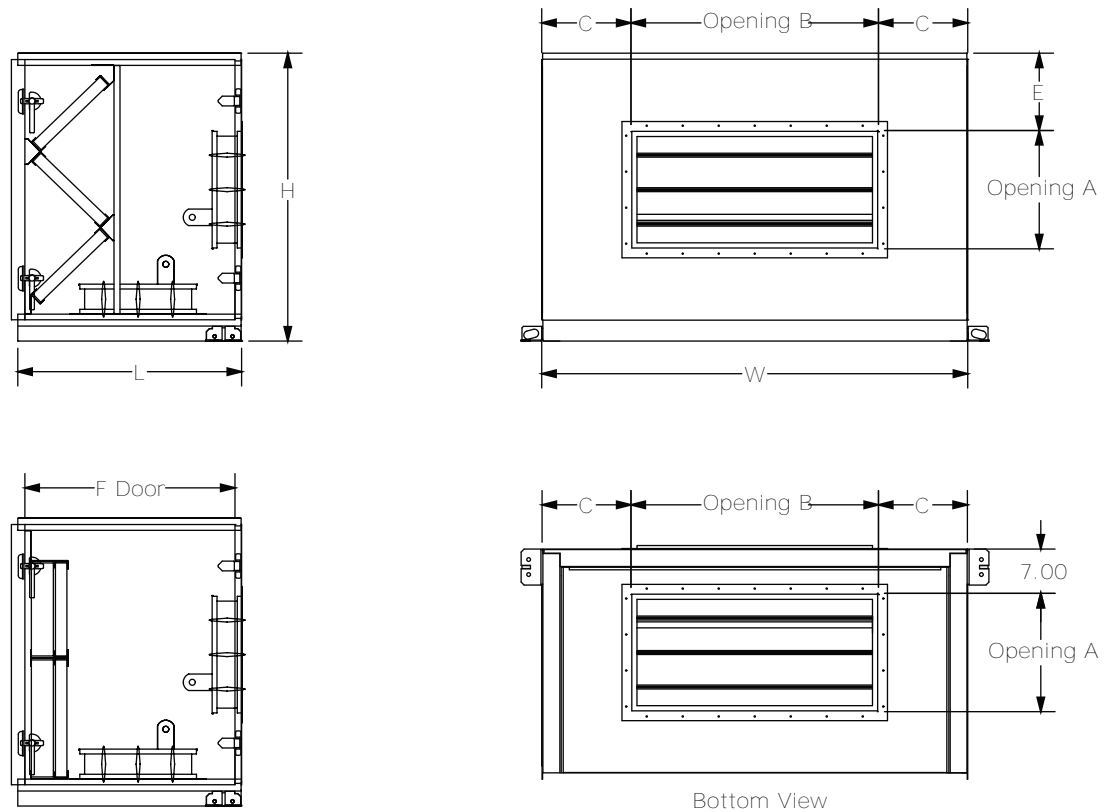
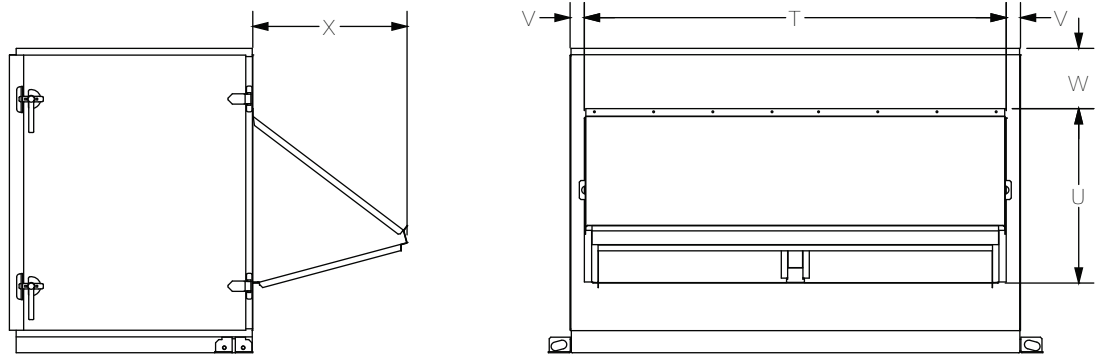


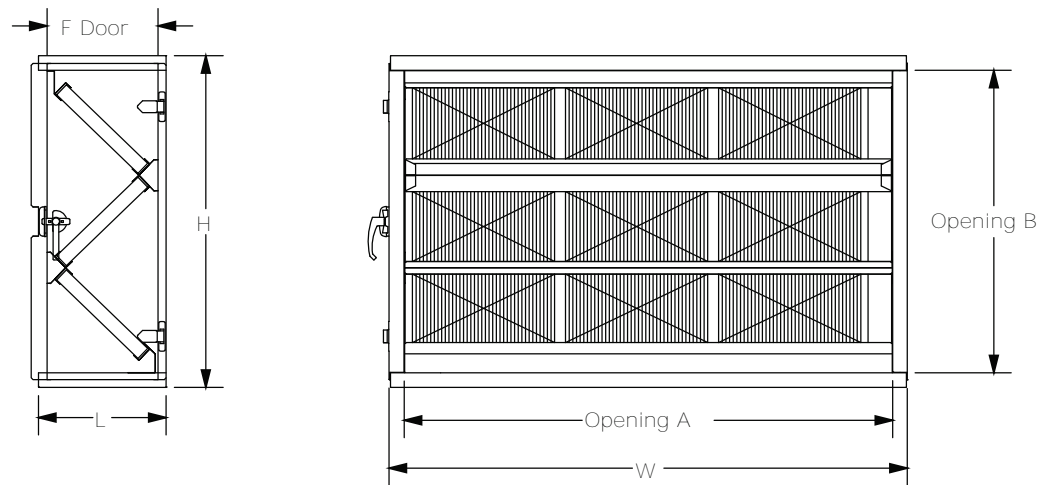
Table 50. Standard offering for outdoor mixing box section with filter weight (lbs) and dimensions (inches)

Size	H	W	L	A	B	C	E	F	Weight <sup>(a)</sup>
3	31.80	34	32.30	13.97	13.25	10.38	5.52	28.30	229
6	36.80	47	36.30	13.97	25.25	10.88	9.27	32.30	326
8	42.30	51	34.30	13.97	32.00	9.50	12.02	30.30	359
10	42.30	63	34.30	13.97	42.75	10.13	12.02	30.30	420
12	46.10	71	32.30	13.97	52.50	9.25	13.89	28.30	457
14	49.90	71	37.30	19.72	41.25	14.88	12.89	33.30	508
17	52.40	79	37.30	19.72	51.00	14.00	14.14	33.30	576
21	58.60	79	37.30	19.72	60.00	9.50	17.27	33.30	604
25	64.90	81	43.30	25.47	58.50	11.25	17.52	39.30	702
30	64.90	94	43.30	25.47	68.00	13.00	17.52	39.30	782

<sup>(a)</sup> Weight includes heaviest filter.

**Figure 47. Hoods for outdoor mixing box**

**Table 51. Hood dimensions (inches) for outdoor mixing box**

Size	T	U	V	W	X	# of Hood Openings
3	29.75	22.47	2.13	2.25	18.52	1
6	42.50	25.16	2.25	4.00	20.94	1
8	46.50	25.16	2.25	7.00	20.94	1
10	58.50	24.29	2.25	8.00	19.97	1
12	66.50	28.21	2.25	8.00	24.32	1
14	66.50	28.21	2.25	9.50	24.32	1
17	74.64	31.03	2.18	9.00	33.02	1
21	74.64	31.03	2.18	12.00	33.02	1
25	76.50	35.83	2.25	13.00	38.33	1
30	88.50	36.48	2.75	13.00	39.02	1

**Figure 48. Angle filter section**

**Table 52. Angle filter section dimensions (inches) and weight (pounds)**

Size	H <sup>(a)</sup>	W	L	A	B	F	Weight <sup>(b)</sup>
3	27.50	34.00	19.25	30.00	23.50	15.25	70
6	32.50	47.00	22.75	43.00	28.50	18.75	100
8	38.00	51.00	20.50	47.00	34.00	16.50	103
10	38.00	63.00	20.50	59.00	34.00	16.50	117
12	41.80	71.00	18.75	67.00	37.75	14.75	123
14	45.50	71.00	17.50	67.00	41.50	13.50	128
17	48.00	79.00	22.00	75.00	44.00	18.00	161
21	54.30	79.00	18.75	75.00	50.25	14.75	154
25	60.50	81.00	22.00	77.00	56.50	18.00	177
30	60.50	94.00	22.00	90.00	56.50	18.00	208

<sup>(a)</sup> Add 6 in to height of units with optional baserail.

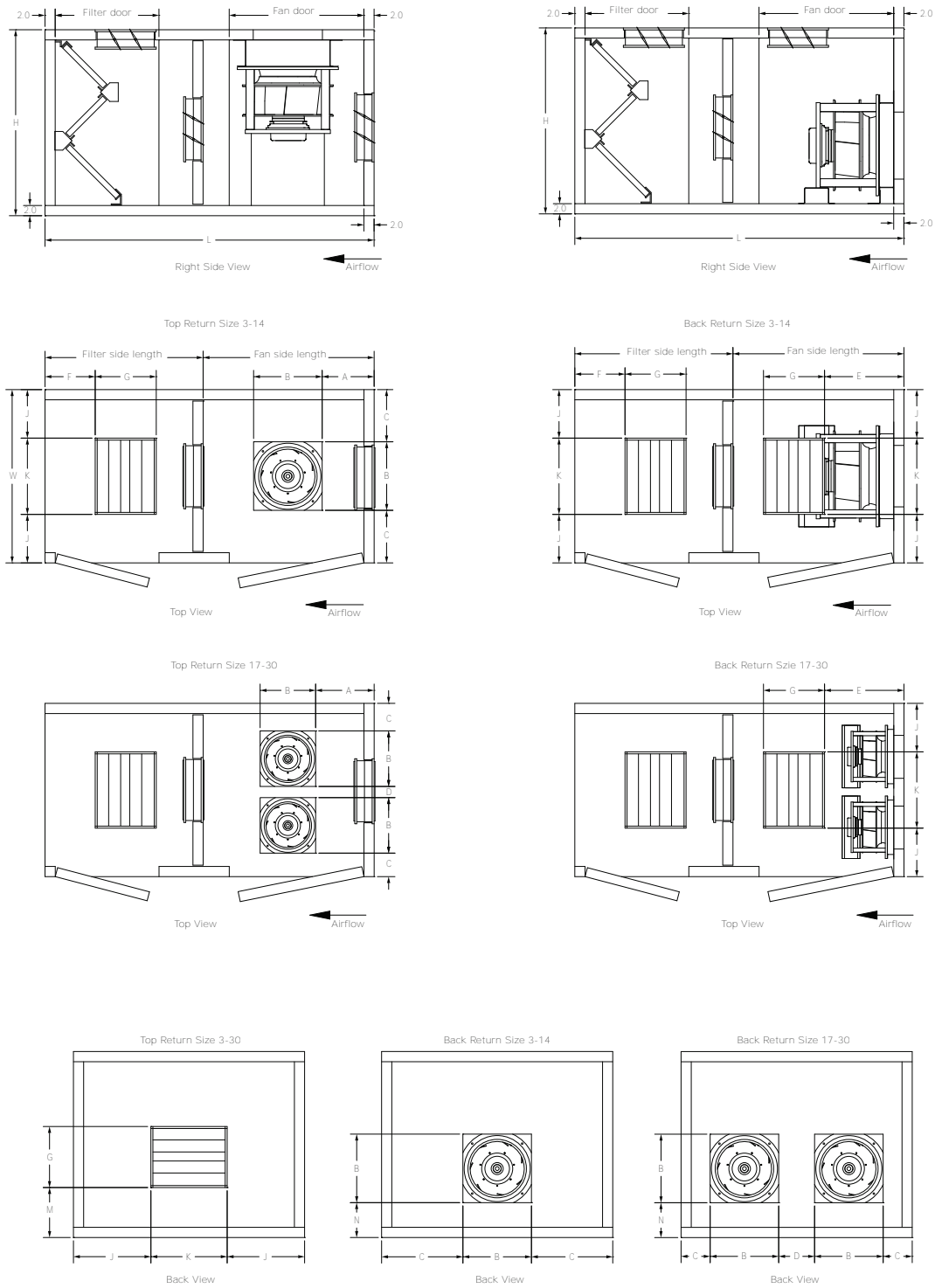
<sup>(b)</sup> Weight includes heaviest filter. Optional baserail not included.



## Dimensions and Weights

# Economizer/Filter Section

Figure 49. Economizer/filter section for Performance UCCA indoor units





**Table 53. Economizer/filter dimensions (inches)**

Unit size	H <sup>(a)</sup>	W	L	A	B	C	D	E	F	G
3	27.50	34.00	64.00	11.50	11.62	11.19	N/A	12.97	15.10	13.97
6	32.50	47.00	68.00	11.81	16.36	15.32	N/A	18.78	13.45	13.97
8	38.00	51.00	69.00	11.86	19.48	15.76	N/A	21.78	11.28	13.97
10	38.00	63.00	69.00	11.86	19.48	21.76	N/A	21.78	9.22	13.97
12	41.75	71.00	72.00	12.36	25.34	22.83	N/A	28.14	5.86	13.97
14	45.50	71.00	76.00	10.91	24.17	23.41	N/A	6.25	5.72	19.72
17	48.00	79.00	77.00	15.41	19.48	13.13	13.788	6.25	5.97	19.72
21	54.25	79.00	77.00	16.16	19.48	13.13	13.788	6.25	4.48	19.72
25	60.50	81.00	84.00	12.24	25.34	10.00	10.328	6.25	6.48	25.47
30	60.50	94.00	84.00	12.41	24.17	15.24	15.168	6.25	6.48	25.47
Unit size	J	K	M	N	Fan width	Fan side length	Filter side length	Fan door opening	Filter door opening	
3	10.38	13.25	6.77	6.06	15.75	30.19	33.82	23.89	15.25	
6	10.88	25.25	9.27	6.66	21.69	35.83	32.17	29.53	18.75	
8	9.50	32.00	12.02	6.66	24.80	39.00	30.00	32.70	16.50	
10	10.13	42.75	12.02	6.66	24.80	39.00	30.00	32.70	16.50	
12	9.25	52.50	13.89	6.66	30.66	45.36	26.65	39.06	14.75	
14	14.88	41.25	12.89	7.66	31.50	43.75	32.25	37.45	13.50	
17	14.00	51.00	14.14	6.66	24.80	44.50	32.50	38.20	18.00	
21	9.50	60.00	17.27	6.66	24.80	45.99	31.01	39.69	14.75	
25	11.25	58.50	20.52	6.66	30.66	45.36	38.65	38.94	18.00	
30	13.00	68.00	22.52	7.66	31.50	44.83	39.17	38.94	18.00	

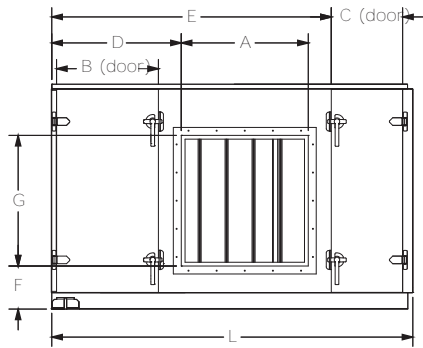
**Notes:**

1. All opening dimensions are finished opening. OA damper opening and location dimensions are same for top and back returns. Return
2. FAN opening dimensions are same for Top and Back return options. Dimension G and K are the damper sizes and not the panel finished openings. The panel finished opening dimensions should be 0.25 inches wider for each sides.

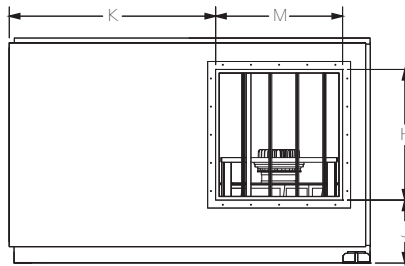
<sup>(a)</sup> Add 6 in to height of units with optional baserail.

# Dimensions and Weights

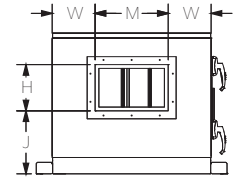
**Figure 50. Economizer/filter section for Performance UCCA outdoor units**



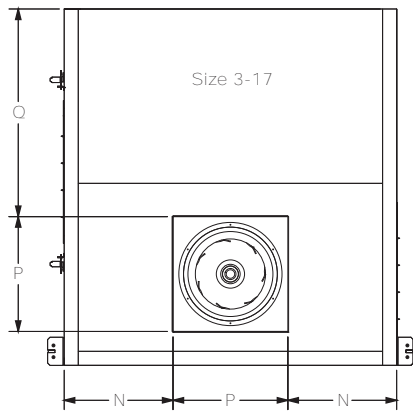
Outside air damper  
(Opposite coil header side)



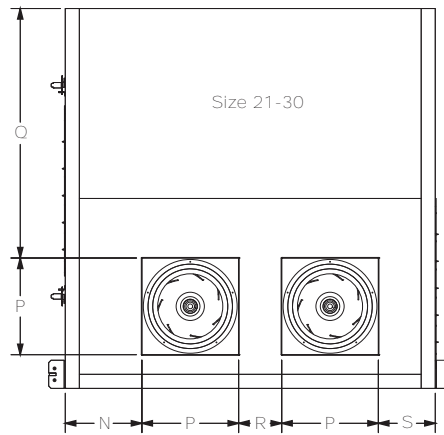
Exhaust air damper  
(Coil header side)



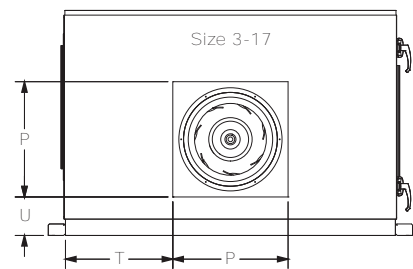
Exhaust air damper - back of unit  
(Size 3 bottomreturn only)



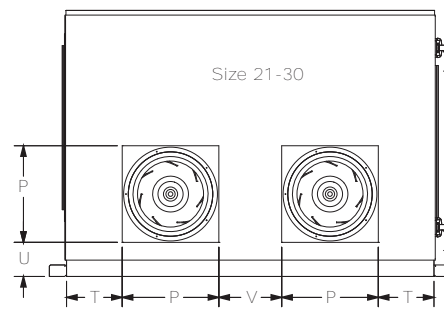
Bottom Return Fans



"S" dim is always the coil header side



Back Return Fans



**Table 54. Outdoor economizer/filter section dimensions (inches) and weights (pounds)**

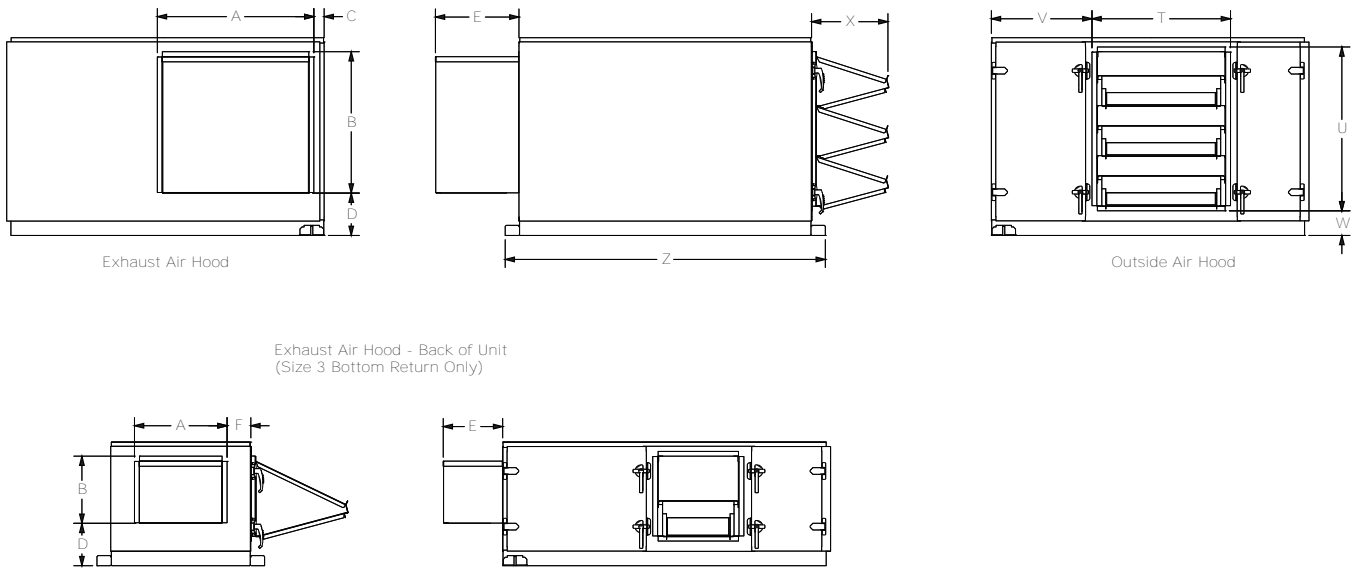
Size	L	A	B	C	D	E	F	G	H	J	K
3	78.5	15.97	32	15.25	39.5	61.25	9	10.25	10.3	13.3	46.03
6	72.5	21.72	17	18.75	24.5	51.75	9	15.25	15.25	13.25	45.03
8	73.50	21.72	20.00	16.50	27.50	55.00	9.00	20.75	20.75	13.25	46.03
10	77.00	27.47	18.00	16.50	25.50	58.50	9.00	20.75	20.75	13.25	43.78
12	76.00	27.47	18.00	14.75	25.50	59.25	9.00	24.25	24.25	13.25	42.78
14	76.00	27.47	20.00	13.50	27.50	60.50	9.00	28.25	28.25	13.25	42.78
17	88.00	31.22	23.50	18.00	31.00	68.00	9.00	30.75	30.75	13.25	51.03
21	81.00	33.22	18.00	14.75	25.50	64.25	9.00	37.00	37.00	13.25	42.03
25	84.50	33.22	18.00	18.00	25.50	64.50	9.00	43.25	43.25	13.25	45.53
30	92.00	38.97	20.00	18.00	27.50	72.00	9.00	43.25	43.25	13.25	47.28
Size	M	N	P	Q	R	S	T	U	V	W	Weight <sup>(a)</sup>
3	16.00	7.99	18.01	48.46	n/a	n/a	7.99	7.02	n/a	9.00	532
6	21.72	14.49	18.01	47.46	n/a	n/a	14.49	7.02	n/a	n/a	661
8	21.72	15.04	20.93	45.54	n/a	n/a	15.04	7.12	n/a	n/a	795
10	27.47	21.04	20.93	49.04	n/a	n/a	21.04	7.12	n/a	n/a	934
12	27.47	25.04	20.93	48.04	n/a	n/a	25.04	7.12	n/a	n/a	1022
14	27.47	23.05	24.91	44.06	n/a	n/a	23.05	8.06	n/a	n/a	1106
17	31.22	26.22	26.55	54.42	n/a	n/a	26.22	7.65	n/a	n/a	1335
21	33.22	16.24	20.93	53.04	8.87	12.03	12.04	7.12	13.07	n/a	1408
25	33.22	18.33	20.93	56.54	8.87	11.94	13.04	7.12	13.07	n/a	1531
30	38.97	21.56	24.91	60.06	10.75	11.88	14.05	8.06	16.09	n/a	1818

<sup>(a)</sup> Weight includes heaviest filter.



## Dimensions and Weights

**Figure 51. Economizer hoods**



**Table 55. Economizer outside air hood dimensions (inches)**

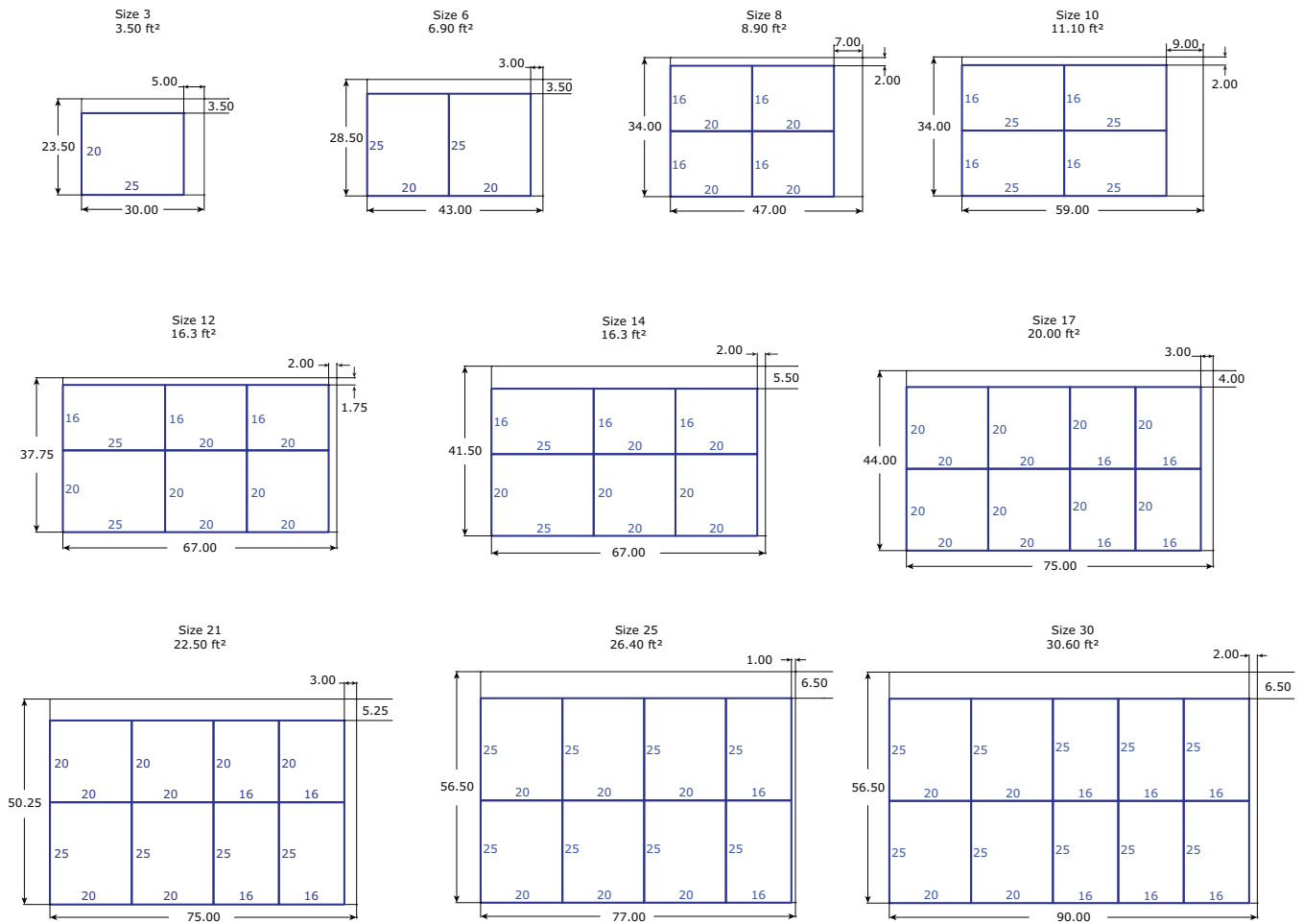
Size	T	U	V	W	X	Z	# of Hood Openings
3	22.08	21.75	36.45	6.00	23.79	41.25	1
6	27.83	26.75	21.45	6.00	18.45	54.25	2
8	27.83	32.25	24.45	6.00	21.37	58.25	2
10	33.58	32.25	22.45	6.00	21.37	70.25	2
12	33.58	36.05	22.45	6.00	24.03	78.25	2
14	33.58	39.75	24.45	6.00	18.96	78.25	3
17	37.33	42.35	27.95	5.90	20.41	86.25	3
21	39.33	48.55	22.45	5.95	23.30	86.25	3
25	39.33	54.85	22.45	5.90	27.17	88.25	3
30	45.08	54.85	24.45	5.90	27.90	101.25	3

**Table 56. Economizer exhaust hood dimensions (inches)**

Size	A	B	C	D	E	F
3	22.47	16.25	13.25	10.35	15.34	5.77
6	28.22	21.25	2.50	10.35	17.54	n/a
8	28.22	26.75	2.50	10.35	19.73	n/a
10	33.97	26.75	2.50	10.35	19.73	n/a
12	34.97	30.25	2.50	10.35	23.02	n/a
14	37.97	34.25	2.50	10.35	21.19	n/a
17	41.22	36.75	2.50	10.35	24.73	n/a
21	43.22	43.00	2.50	10.35	27.77	n/a
25	39.72	49.25	2.50	10.35	35.21	n/a
30	45.47	49.25	2.50	10.35	35.21	n/a

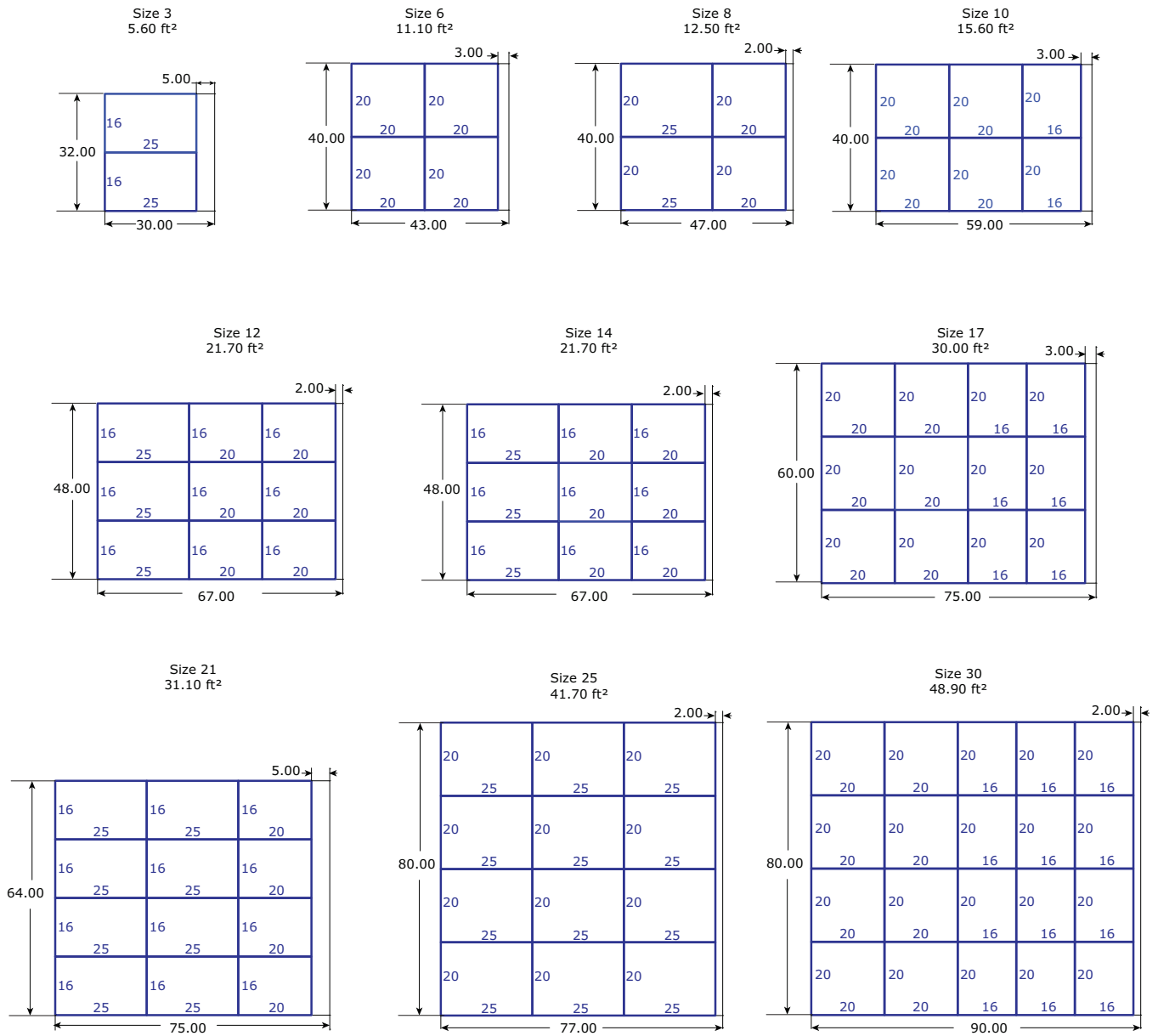
# Filter Placement

Figure 52. Flat filter arrangement dimensions (inches)



# Dimensions and Weights

**Figure 53. Angle filter arrangement dimensions (inches)**



## Fans, Motors, and VFDs

Unit Size	Supply fan FC Fan <sup>(a)</sup>	Supply fan DDP Fan <sup>(a)</sup>	DDP Fan with EC motor <sup>(b)</sup>	Supply fan MI fan <sup>(b)</sup> (std TSP)	MI Fan <sup>(b)</sup> (high TSP)	Indoor return fan MI fan <sup>(b)</sup>
3	30.71	60.63	57.00	30.00	60.00	30.00
6	47.09	96.03	57.00	n/a	87.00	57.00
8	69.21	110.09	98.00	87.00	120.50	100.00
10	83.02	149.12	98.00	n/a	128.00	100.00
12	97.90	158.25	98.00	128.00	241.00	125.00
14	110.46	164.44	125.00	161.00	241.00	160.00
17	133.09	172.89	160.00	256.00	241.00	125.00
21	155.81	290.14	196.00	n/a	256.00	125.00
25	168.83	304.07	196.00	256.00	n/a	250.00
30	208.34	317.00	250.00	322.00	n/a	322.00

<sup>(a)</sup> Add motor weight to get total weight of the supply fan.

<sup>(b)</sup> Includes the weight of fan and motor for the return fan.

**Table 57. Motor weights (pounds)**

Motor HP	Voltage	Motor Weight	Frame Size
1	208, 230/460, 575	38	143
1.5	208, 230/460, 575	37	145
2	208, 230/460, 575	43	145
3	208, 230/460, 575	71	182
3 (3600 RPM size 3)	208, 230/460, 575	89	182
5	208, 230/460, 575	82	184
7.5	208, 230/460, 575	91	213
10	208, 230/460, 575	127	215
15	208, 230/460, 575	217	254

**Table 58. VFD weights (pounds) and line input**

HP	Type	FLA	RPM	VFD (single Fan)		VFD (dual Fan)	
				Line Input	Weight	Line Input	Weight
1	208 V / 60 Hz / 3 PH	3.50	1800	4.20	10		
	230 V / 60 Hz / 3 PH	3.00	1800	4.20	10		
	460 V / 60 Hz / 3 PH	1.50	1800	2.10	10		
	575 V / 60 Hz / 3 PH	1.20	1800	3.90	20		
1.5	208 V / 60 Hz / 3 PH	5.10	1800	6.80	10		
	230 V / 60 Hz / 3 PH	4.40	1800	6.80	10		
	460 V / 60 Hz / 3 PH	2.20	1800	3.40	10		
	575 V / 60 Hz / 3 PH	1.80	1800	3.90	20		



## Dimensions and Weights

**Table 58. VFD weights (pounds) and line input (continued)**

HP	Type	FLA	RPM	VFD (single Fan)		VFD (dual Fan)	
				Line Input	Weight	Line Input	Weight
2	208 V / 60 Hz / 3 PH	6.50	1800	6.80	10		
	230 V / 60 Hz / 3 PH	5.80	1800	6.80	10		
	460 V / 60 Hz / 3 PH	2.90	1800	3.40	10		
	575 V / 60 Hz / 3 PH	2.40	1800	3.90	20		
3	208 V / 60 Hz / 3 PH	9.70	1800	15.20	15	22.00	27
	230 V / 60 Hz / 3 PH	8.60	1800	15.20	15	22.00	27
	460 V / 60 Hz / 3 PH	4.20	1800	4.80	12	11.00	20
	575 V / 60 Hz / 3 PH	3.30	1800	3.90	20	9.00	25
5	208 V / 60 Hz / 3 PH	15.70	1800	22.00	22	42.00	31
	230 V / 60 Hz / 3 PH	13.60	1800	22.00	22	42.00	31
	460 V / 60 Hz / 3 PH	6.70	1800	8.20	12	14.00	20
	575 V / 60 Hz / 3 PH	5.30	1800	6.10	20	11.00	25
7.5	208 V / 60 Hz / 3 PH	22.40	1800	28.00	22	59.40	64
	230 V / 60 Hz / 3 PH	19.40	1800	28.00	22	59.40	64
	460 V / 60 Hz / 3 PH	9.40	1800	11.00	15	21.00	27
	575 V / 60 Hz / 3 PH	7.60	1800	9.00	20	18.00	37
10	208 V / 60 Hz / 3 PH	29.50	1800	42.00	26	59.40	64
	230 V / 60 Hz / 3 PH	25.20	1800	42.00	26	59.40	64
	460 V / 60 Hz / 3 PH	12.50	1800	14.00	15	27.00	27
	575 V / 60 Hz / 3 PH	10.00	1800	11.00	20	22.00	37
15	208 V / 60 Hz / 3 PH	43.40	1800	59.40	59		
	230 V / 60 Hz / 3 PH	37.80	1800	59.40	59		
	460 V / 60 Hz / 3 PH	18.50	1800	21.00	22	40.00	31
	575 V / 60 Hz / 3 PH	14.80	1800	18.00	20	34.00	64





# Mechanical Specifications

## General

Performance Climate Changer air handlers must be rigged, lifted, and installed in strict accordance with the CLCH-SVX009\*-EN Installation, Operation, and Maintenance manual for UCCA air handlers. The units are also to be installed in strict accordance with the specifications.

Per ASHRAE 62.1 recommendation, units will be shipped wrapped or shipped inside an enclosed truck to protect unit from in-transit rain and debris. Installing contractor is responsible for long-term storage in accordance with CLCH-SVX009\*-EN Installation, Operation and Maintenance manual.

## UL and C-UL Listed

Air-handling performance data shall be certified in accordance with AHRI Standard 430. Coil performance shall be certified in accordance with AHRI Standard 410.

## Unit Construction

### Casing Construction

All unit panels shall be 2-inch solid, double-wall construction to facilitate cleaning of unit interior. All exterior and interior AHU panels will be made of galvanized steel. Motor and drive locations can be on the same side as the unit coil connections or on the opposite side. The casing shall be able to withstand up to 6 inches w.g. positive or negative static pressure. The unit panels shall not exceed 0.005 inch deflection per inch of panel span at 6 inches w.g. positive or negative static pressure.

### Unit Flooring

The unit floor shall be of sufficient strength to support a 300-lb. load during maintenance activities and shall deflect no more than 0.005 inch per inch of panel span when sitting on a support structure.

### Insulation

Panel insulation shall provide a minimum thermal resistance (R-value) of 13 ft<sup>2</sup>\*h\*F/Btu throughout the entire unit, except for narrow jambs. Insulation shall completely fill the panel cavities in all directions so that no voids exist and settling of insulation is prevented. Panel assembly shall comply with NFPA 90A.

### Unit Roof

UCCA Unit Room

Trane engineered roofs incorporate a standard two-inch R13 foam-insulated inner roof. Inner roof panel designed to prevent air bypass between internal components. Roof shall incorporate a standing seam on the exterior to ensure a rigid roof construction and prevent water infiltration. Roof seams designed to prevent water intrusion. Outer roof assembly will overhang all side panels of units by a two and one-half inch minimum.

### Unit Paint

External surface of unit casing shall be prepared and coated with a minimum of 1.5 mil enamel finish or equal. Units supplied with casing exterior factory-painted shall be able to withstand a salt spray test in accordance with ASTM B117 for a minimum of 500 consecutive hours. Unit casing exterior will be provided with manufacturer's standard color.

### Weather Hoods

Outside and exhaust air weather hoods shall be fabricated from the same material as the unit exterior. Hoods shall extend past the perimeter of the unit casing opening to ensure the hood does not obstruct the airflow path. Hoods shall be painted with the same paint requirements



## Mechanical Specifications

---

identified for the external casing herein. Inlet hoods for outside dampers shall be provided with a high-performance moisture eliminator to prevent entrainment of water in the unit from outside air. Exhaust hoods shall be provided on exhaust air openings. All hoods shall be sized for 100 percent of nominal damper capacities.

### Drain Pans

All units shall be provided with an insulated assembly of polymer material or stainless steel. To address indoor air quality (IAQ), the drain pan shall be designed in accordance with ASHRAE 62.1 being of sufficient size to collect all condensation produced from the coil and sloped in two planes promoting positive drainage to eliminate stagnant water conditions. The outlet shall be located at the lowest point of the pan and shall be sufficient diameter to preclude drain pan overflow under any normally expected operating condition. All drain pan threaded connections shall be visible external to the unit.

### Access Doors

Access doors shall be 2-inch double-wall construction. Interior and exterior door panels shall be of the same construction as the interior and exterior wall panels, respectively. Surface-mounted handles shall be provided to allow quick access to the interior of the unit. Handle hardware shall be designed to prevent unintended closure. Access doors shall be hinged and removable for quick, easy access. Door handle hardware shall be adjustable and visually indicate locking position of door latch external to the section.

### Fans

#### FC Fan

The fan shall be a double-width, double-inlet, multi-blade-type, forward-curved (FC) fan. The fan shall be equipped with permanently lubricated, anti-friction bearings with an L-50 life of 200,000 hours as calculated per ANSI/AFBMA Standard 9. All fan wheels are dynamically balanced by the fan vendor or unit manufacturer.

#### Direct-Drive Plenum Fan

The fan shall be a single-width, single-inlet, 10-bladed plenum fan. The fan shall consist of a backward-curved, welded steel wheel. Plenum fan shall be direct-driven.

Units containing multiple fans shall be controlled using a common control signal, such as the duct static control signal, to modulate the fan speed.

#### Motorized Impeller Fan

The fan assembly shall be a nine-blade, single width, single inlet, direct-drive plenum fan with high efficiency welded-aluminum impeller that is dynamically balanced as an assembly. Fan shall be maintenance free throughout its operating life. Fans shall be balanced to G6.3 per AMCA 204. No vibration isolation is necessary. Access to motor and fan assembly through hinged access door. Access door shall be sized for removal of entire motor and fan assembly. Motor contains integrated PID controller and accepts 0-10VDC input for variable speed control.

### Fan Isolation

All fans, including direct-drive plenum fans, shall be internally isolated to inhibit noise and vibration through the ductwork and building structure. A flexible connection shall be installed between fan and unit casing to ensure complete isolation. Flexible connection shall comply with NFPA 90A and UL 181 requirements. If fans and motors are not internally isolated, then the entire unit shall be externally isolated from the building, including supply and return duct work, piping, and electrical connections. External isolation shall be furnished by the installing contractor in order to avoid transmission of noise and vibration through the ductwork and building structure.

## Fan Drives

Drives are available either fixed or variable pitch, with V-belt sheaves.

An optional factory mounted and wired variable frequency drive (VFD) is available for fan speed modulation in a VAV application.

## Fan Motors

Motors are open drip-proof (ODP) with permanently sealed ball bearings. Motor options include:

- 208 volt, 3-phase, 60 Hz
- 230 volt, 3-phase, 60 Hz
- 460 volt, 3-phase, 60 Hz
- 575 volt, 3-phase, 60 Hz

The motor shall meet or exceed all NEMA Standards Publication MG1 requirements and comply with NEMA premium efficiency levels when applicable. For VAV applications, an optional maintenance free, circumferential conductive micro fiber shaft grounding ring installed on the fan motor to discharge shaft currents to ground is available.

## Coils

### Hydronic Coils

Hydronic coils have ½-inch OD x 0.016 inch thick round seamless copper tubes mechanically bonded to coil fins. Coil fins are aluminum with full fin collars that provide maximum fin-tube contact and accurate spacing. Coils are available with 9, 12, and 14 fins per inch. Manufacturer shall not allow selections where moisture carryover could occur at design conditions. For hydronic coils used in a two-pipe system, the unit manufacturer shall provide performance data in both the cooling and heating mode.

Hydronic coils used as heating only will be available in one-row or two-row configurations. Hydronic coils used as cooling only will be available in four-row, six-row, or eight-row configurations. Multi-row hydronic coils have continuous tube circuits arranged for counterflow (water flow counter to the direction of unit airflow). The coil casing may be galvanized or stainless steel. Coils have round seamless copper pipe headers with NPT external thread steel pipe connections. Coils have one vent and one drain connection consisting of 3/8-inch NPT internal thread copper adapter with steel square head pipe plug. Hydronic coils may be supplied with factory installed drain and vent piping to unit casing exterior. Supply and return connections are located outside the unit casing (on the same side of the unit) and are clearly labeled to facilitate field piping. Coils are proof-tested to 450 psig and leak-tested under water to 300 psig. Maximum standard operating conditions are 300 psig and 200°F. Coil performance data and coils containing water or ethylene glycol shall be certified in accordance with AHRI Standard 410. Propylene glycol and calcium chloride, or mixtures thereof, are outside the scope of AHRI Standard 410 and, therefore, do not require AHRI 410 rating or certification.

### Refrigerant Cooling Coils

Direct expansion (DX) coils use refrigerant R-410A and have ½-inch OD x 0.016-inch thick round seamless copper tubes expanded into full fin collars for permanent fin-tube bond. Coil fins are continuous with full fin collars that provide maximum fin-tube contact and accurate spacing. Coils are available with 9, 12, and 14 fins per inch, in four-row and six-row configurations. Manufacturer shall not allow selections where moisture carryover could occur at design conditions.

The coil casing may be galvanized or stainless steel. Coils have round, seamless, copper pipe liquid lines and suction headers with male sweat connections. Suction headers have bottom connections to aid drainage of any oil that may collect in the coil. Liquid line and suction connections are outside the unit casing (on the same side of the unit) to facilitate field piping. Connections are clearly labeled to ensure coils are piped correctly. Coils have Venturi-type distributor assemblies designed with a vertical downflow feed for low pressure drops.



## Mechanical Specifications

---

Four-row coils have 3/16-inch distributor(s) and OD x 0.016-inch thick round seamless copper tube. Six-row coils have ¼-inch distributor(s) and OD x 0.025-inch thick round seamless copper tubes.

Each refrigeration circuit has one distributor. Coil circuiting options are:

- Single refrigeration circuit for unit sizes 3 through 10
- Horizontal face split circuiting (two distributors) for unit sizes 8 through 25
- Horizontal face split circuiting (four distributors) for unit size 30
- Intertwined circuiting (two distributors) for unit sizes 8 through 14
- Intertwined circuiting (four distributors) for unit sizes 17 through 30

Coils are proof-tested to 450 psig and leak tested to 300 psig air pressure under water. After testing, the inside of the coils shall be dried, all connections shall be sealed, and the coils shall be shipped with a charge of dry nitrogen. Maximum standard operating conditions at 127°F are 300 psig with R-22 and 480 psig with R-410A. Coil performance data shall be certified in accordance with AHRI Standard 410.

## Steam Heating Coils

A one-row steam distributing coil is available in the pre-heat or reheat position. Steam coils are non-freezing and are pitched to ensure adequate condensate drainage. Coils have one-inch OD x 0.031-inch W round seamless copper condensing tubes expanded into full fin collars for permanent fin-tube bond. Coil headers are cast iron for permanent leak tight joints. Coils have continuous Sigma-Flo<sup>®</sup> aluminum fins with full fin collars for maximum fin-tube contact and accurate spacing at six fins per inch. The coil casing is heavy-duty galvanized steel. Coil header are gray cast iron with NPT internal thread connections. Supply, return, and vacuum breaker connections are located at the same end of the unit and clearly labeled to ensure coils are piped correctly. Distributor tubes are 11/16-inch OD copper. Also, they have die-formed, accurately spaced directional kinetic orifices that discharge steam in the direction of condensate flow (toward the return connection) to ensure even steam distribution across the coil face area and push out condensate. Distributor tubes are located concentrically within condensing tubes using corrosion resistant support clips. Supply header steam deflectors prevent impingement of steam into tubes in supply connection area. Coils are proof-tested to 300 psig and leak-tested to 200 psig air pressure under water. Maximum standard operating conditions are 100 psig at 400°F. Coil performance data shall be certified in accordance with AHRI Standard 410.

## Electric Heat

A UL-recognized electric heater shall be factory-installed in the air handler. The electric heat is an open-wire resistance heater and installed in the reheat position. The heater has primary and secondary protection circuits. The contactors for energizing the electric heater shall be magnetic contactors. Electric heaters above 48 amps shall be fused into circuits not to exceed 48 amps as required by UL and NEC.

## Control Options

- SSR-full modulating control (0-10VDC)
  - The electric heater shall be factory-wired to accommodate SSR-full modulating control. The SSR control can receive a 0-10VDC signal from a standalone thermostat or building automation system providing full modulating control of the heater.

## Filters

All filters are standard sizes. The unit is available with:

- Two-inch, MERV 8 or MERV 13 flat or angled filters
- Two-inch, MERV 8/Four-inch MERV 11 combination filter
- Two-inch, MERV 8/Four-inch MERV 13 combination filter
- Two-inch, MERV 13/Four-inch MERV 13 combination filter

An optional mixing box section is available with:

- Two-inch, MERV 8 or MERV 13 flat filters
- Two-inch, MERV 8 or MERV 13 angled filters
- Two-inch, MERV 8/Four-inch MERV 11 combination filter
- Two-inch, MERV 8/Four-inch MERV 13 combination filter
- Two-inch, MERV 13/Four-inch MERV 13 combination filter.

## Mixing Box

The mixing box has two ultra-low-leak, parallel blade dampers with edge and jamb seals. Dampers are tested and certified in accordance with AMCA 511 for air performance and air leakage. Leakage rate shall not exceed 3 cfm/ft<sup>2</sup> at one-inch w.g. and 8 cfm/ft<sup>2</sup> at four-inch w.g. Dampers are double-skin airfoil design or equivalent. Damper blades and frames are galvanized steel. On unit sizes 3 to 8, the damper has a ½-inch drive for use with an optional factory-mounted actuator. On unit sizes 10 to 30, there is a one inch shaft. Optional filters are available that include two-inch, MERV 8 or 13 flat or angled, or two-inch/four-inch combination filters including MERV 8, MERV 11 or MERV 13. The mixing box can have an access door on the drive side or both sides as standard. Optional to have door on both sides.

## Economizer with Return Fan Section

A return fan economizer section is available containing the following components

- Return fan - the fan assembly shall be a nine-blade fan, single width, single inlet, direct-direct plenum fan with backward inclined, high efficiency welded-aluminum impeller that is dynamically balanced as an assembly. Fan shall be maintenance free throughout its operating life. Fans shall be balanced to G6.3 per AMCA 204. No external vibration isolation is necessary. Access to motor and fan assembly through hinged access door. Access door shall be sized for removal of entire motor and fan assembly. Fans shall be arranged for top or back inlet. Motor contains integrated PID controller and accepts 0-10VDC input for variable speed control. Signal is wired back to the UC600 controller or terminal strip.
- Dampers - damper arrangement in the economizer section allows for exhaust air out of the unit, return air through the air, and outside air intake into the unit. The dampers are ultra-low-leak, parallel blade dampers with edge and jamb seals. Dampers are tested and certified in accordance with AMCA 511 for air performance and air leakage. Leakage rate shall not exceed three cfm/ft<sup>2</sup> at one-inch w.g. and eight cfm/ft<sup>2</sup> at four inches w.g. Dampers are double-skin airfoil design or equivalent. Damper blades and frames are galvanized steel. The damper has a properly sized drive for use with an optional factory-mounted actuator.
- Filters - The economizer section is available the following filter options:
  - Two-inch, MERV 8 or MERV 13 flat filters
  - Two-inch, MERV 8 or MERV 13 angled filters
  - Two-inch, MERV 8/Four-inch MERV 11 combination filter
  - Two-inch, MERV 8/Four-inch MERV 13 combination filter
  - Two-inch, MERV 13/Four-inch MERV 13 combination filter

## Coil with Access

Unit(s) shall include a separate section housing a coil section and access section as one assembly. Refer to drawings to determine which unit(s) include the additional section. Section shall include a stainless steel drain pan and an access door of sufficient size to allow for visual inspection of the leaving face of the first coil in the airstream and entering face of the second coil in the airstream shall be included as standard in this section. Access door shall be of the same construction as all other doors on the unit.



### Control Interface

A control interface is available that includes:

- Fan motor disconnect switch (indoor units only)
- Fused transformer(s)
- Customer terminal strip for field-provided controls
- For a control interface without a VFD, it will also include a starter with a motor overload and a motor contactor.
- For a control interface with a VFD, it will not include a starter.

Also, various end device options are available with the control interface wired to a terminal strip. Binary end device options include:

- Low limit protection
- Condensate overflow switch
- Fan status switch
- Filter status switch

Analog end device options are:

- Discharge air sensor
- Mixed air sensor
- Damper actuator

### UC600 Controller

An optional factory installed Tracer UC600 controller is available. It is a programmable BACnet unit controller that is designed to work with the Tracer SC and third-party BACnet MS/TP systems. The UC600 controller has the I/O and size to meet the controls needs for air handler applications.

### Motor Starter

An IEC combination starter shall be provided for each fan motor. Each starter shall be properly sized, factory mounted in a metal enclosure, and wired to the fan motor to facilitate temporary heating, cooling, ventilation, and/or timely completion of the project. Starter shall include one N. C. and one N.O. auxiliary contact, and manual reset overload.

### VFD

A variable frequency drive (VFD) shall be provided when variable air volume control is required for fan operation. Whether for single fan, or dual fan applications, a single VFD shall be provide to ensure proper operation and to optimize operating life. Each VFD shall be properly sized, factory mounted, wired to the fan motor, and commissioned to facilitate temporary heating, cooling, ventilation, and/or timely completion of the project. The VFD package shall also include:

- Electronic manual speed control
- Inlet fuses to provide maximum protection against inlet short circuit
- Current limited stall prevention
- Auto restart after momentary power loss
- Speed search for starting into rotating motor
- Anti-windmill w/DC injection before start
- Phase-to-phase short circuit protection
- Ground fault protection

Units with factory-mounted controls shall include power wiring from the VFD panel to the control system, binary output on/off wiring, analog output-speed-signal wiring, binary fault signal wiring and all interfacing wiring between the VFD and the direct control interface.

The VFD shall be covered by UL1995 Standards.





Ingersoll Rand (NYSE: IR) advances the quality of life by creating comfortable, sustainable and efficient environments. Our people and our family of brands – including Club Car®, Ingersoll Rand®, Thermo King® and Trane® – work together to enhance the quality and comfort of air in homes and buildings; transport and protect food and perishables; and increase industrial productivity and efficiency. We are a global business committed to a world of sustainable progress and enduring results.



[ingersollrand.com](http://ingersollrand.com)



The AHRI Certified mark indicates Ingersoll Rand participation in the AHRI Certification program. For verification of individual certified products, go to [www.ahridirectory.org](http://www.ahridirectory.org).

Ingersoll Rand has a policy of continuous product and product data improvements and reserves the right to change design and specifications without notice.

We are committed to using environmentally conscious print practices.