

# Agility water-cooled chillers

Compact chillers that fit your needs



## Simplex Chiller Model HDWA

175 to 425 ton – 60 Hz, 50 Hz  
using either R-513A or R-134a

### Compact

The addition of the Agility™ chiller to the Trane portfolio provides the next step in compact chillers. Providing best-in-class size, the Agility chiller portfolio provides an optimized footprint that minimizes installation costs making it the best choice for existing building applications. The Agility chiller fits through a standard double door (72 inch x 80 inch) fully assembled, and can be easily separated into two sections that fit through a single door (36 inch x 80 inch).

### Economical

The Agility chiller delivers the best balance of size and efficiency, all while helping to keep installation costs low. Leveraging oil-free, magnetic bearings with optimized compressor speeds and the latest Trane proprietary (CHIL™) heat exchanger designs, these technologies enable a smaller footprint while delivering Integrated Part Load Values (IPLV) over 40 percent better than the ASHRAE® 90.1-2016 plus high full-load values. The Agility chiller's compact size will keep installation costs low, and its efficiency will help reduce electrical consumption (kWh or part load) as well as demand charges (kWh or high load) contributing to low operating expenses.

### Reliable

The Agility chiller has legendary Trane reliability designed in from the start. It utilizes a two-stage, semi-hermetic centrifugal compressor with a permanent magnet, refrigerant-cooled motor delivering efficient, stable operation across a wide operating map. Couple this with Trane AdaptiView™ unit controls and customers will enjoy maximum flexibility to meet their applications' needs. Trane controls also allow for remote connectivity, enabling optimum unit performance to deliver reliable and efficient operation. All of this is backed by factory available extended warranties with coverage up to and including 10 years for parts, labor and refrigerant — truly covering the whole chiller.

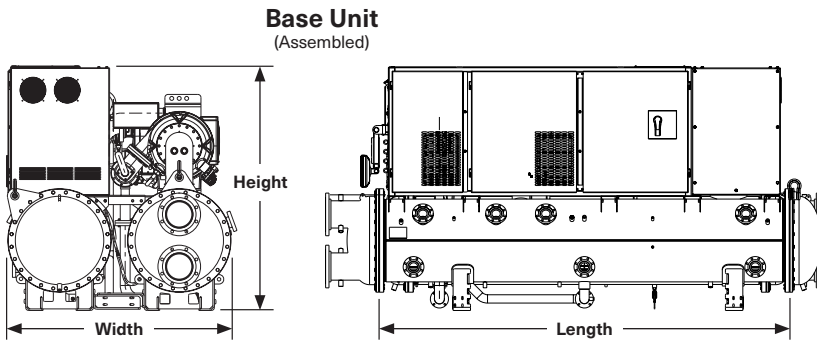


## EcoWise™

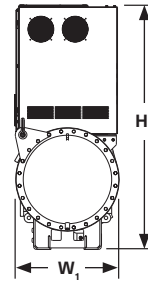
The Agility water-cooled chillers with R-513A are part of the Ingersoll Rand EcoWise portfolio of products designed to lower environmental impact by using next-generation, low global warming potential (GWP) refrigerants without compromising performance and reliability.

### Next-Generation Refrigerant

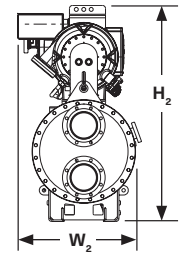
The Agility chiller's design is optimized with the next-generation, low-GWP refrigerant R-513A in mind. This refrigerant provides a 55 percent drop in GWP over R-134a helping customers meet sustainability goals by reducing the impact to the environment. The Agility chiller can also be selected with R-134a refrigerant.



**Cont/Cond Section**



**Comp/Evap Section**

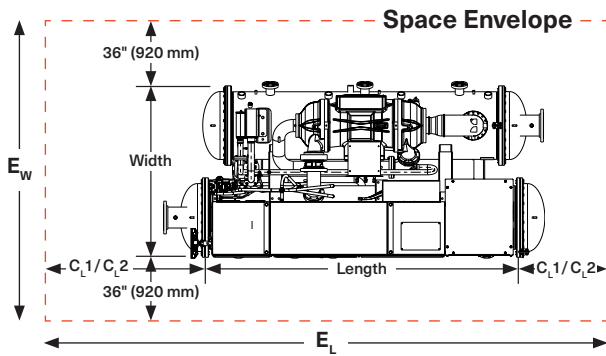


Unit Configuration	
Compressor	Shell Config (EVAP/COND)
200	020/020
300	020/020
300	040/040
400	040/040

Base Unit Dimensions (Assembled)					
Length		Width		Height	
in	mm	in	mm	in	mm
129.9	3300	67.4	1713	72.2	1833
129.9	3300	67.4	1713	72.2	1833
129.9	3300	70.7	1795	78.0	1981
129.9	3300	70.7	1795	78.0	1981

Cont/Cond Section			
Width (W <sub>1</sub> )		Height (H <sub>1</sub> )	
in	mm	in	mm
33.8	858	72.2	1833
33.8	858	72.2	1833
33.8	859	78.0	1981
33.8	859	78.0	1981

Comp/Evap Section			
Width (W <sub>2</sub> )		Height (H <sub>2</sub> )	
in	mm	in	mm
34.9	886	63.4	1610
35.2	893	68.4	1738
35.2	893	68.4	1738
35.2	893	68.4	1738



**Unit Voltages**

- 460/480V 60 Hz
- 575/600V 60 Hz
- 208/230V 60 Hz

Unit Configuration	
Compressor	Shell Config (EVAP/COND)
200	020/020
300	020/020
300	040/040
400	040/040

Space Envelope					
Length (E <sub>L</sub> )		Width (E <sub>W</sub> )		Height (E <sub>H</sub> )	
in	mm	in	mm	in	mm
300.8	7641	139.4	3553	108.2	2753
300.8	7641	139.4	3553	108.2	2753
300.8	7641	142.7	3635	114.0	2901
300.8	7641	142.7	3635	114.0	2901

Unit Clearance					
Tube Pull (C <sub>L1</sub> )		Non-Tube Pull (C <sub>L2</sub> )		Height (H <sub>c</sub> )	
in	mm	in	mm	in	mm
129.9	3300	41.0	1041	36.0	920
129.9	3300	41.0	1041	36.0	920
129.9	3300	41.0	1041	36.0	920
129.9	3300	41.0	1041	36.0	920

Dimensions do not include waterboxes, hinges or other unit-mounted options that may affect unit size.

1. CL1 can be at either end of the machine and is required for tube pull clearance.
2. CL2 is always at the opposite end of the machine from CL1 and is required for service clearance.

Contact your Trane representative for more information.



Trane – by Trane Technologies (NYSE: TT), a global climate innovator – creates comfortable, energy efficient indoor environments through a broad portfolio of heating, ventilating and air conditioning systems and controls, services, parts and supply. For more information, please visit [trane.com](http://trane.com) or [tranetechnologies.com](http://tranetechnologies.com).

All trademarks referenced in this document are the trademarks of their respective owners.

© 2020 Trane. All Rights Reserved.

HWDA-SLB002-EN  
05/14/2020